

BLUEPRINTS PDF

BODY AND WHEELS

► **Body Mount**

- Wheels Mount
- Wheel

CENTER

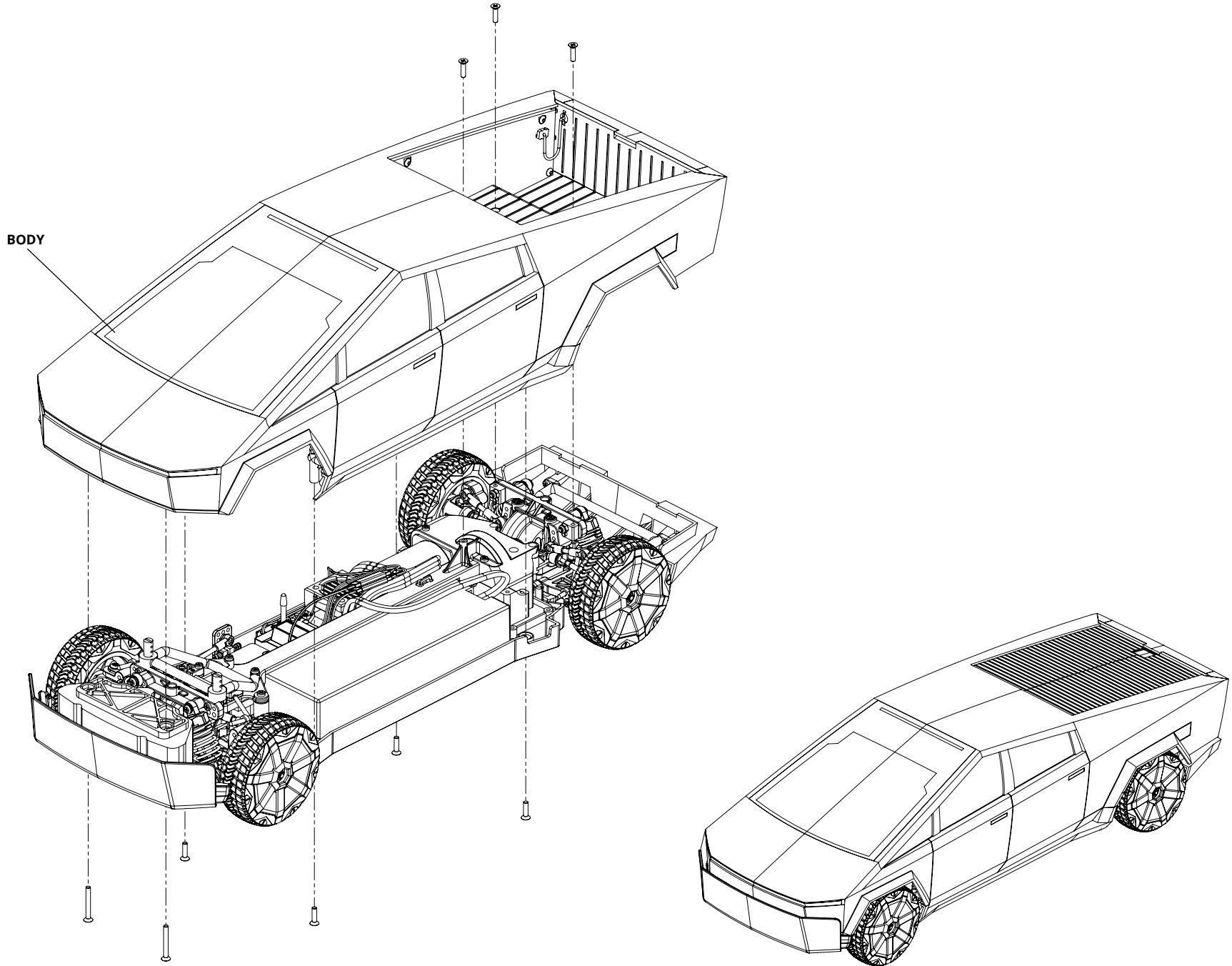
- Steering Mount
- Steering
- Steering Link
- Front Caster Link
- Chassis
- Motor Mount
- Steering Module
- Receiver Module

FRONT

- Front Anti Roll Bar
- Top Deck
- Front Bumper Guard
- Mounting Front End
- Front Bumper
- Front End Assembly
- Front Shock
- Front Upper Link
- Front Suspension
- Front Steering Hub
- Front Tower
- Front Bulkhead
- Front Differential
- Bevel Gear

REAR

- Rear Anti Roll Bar
- Mounting Rear End
- Rear Bumper
- Rear End Assembly
- Rear Shock
- Rear Upper Link
- Rear Suspension
- Rear Hub
- Rear Tower
- Rear Bulkhead
- Rear Differential
- Middle Differential



BODY AND WHEELS

- Body Mount
- ▶ Wheels Mount
- Wheel

CENTER

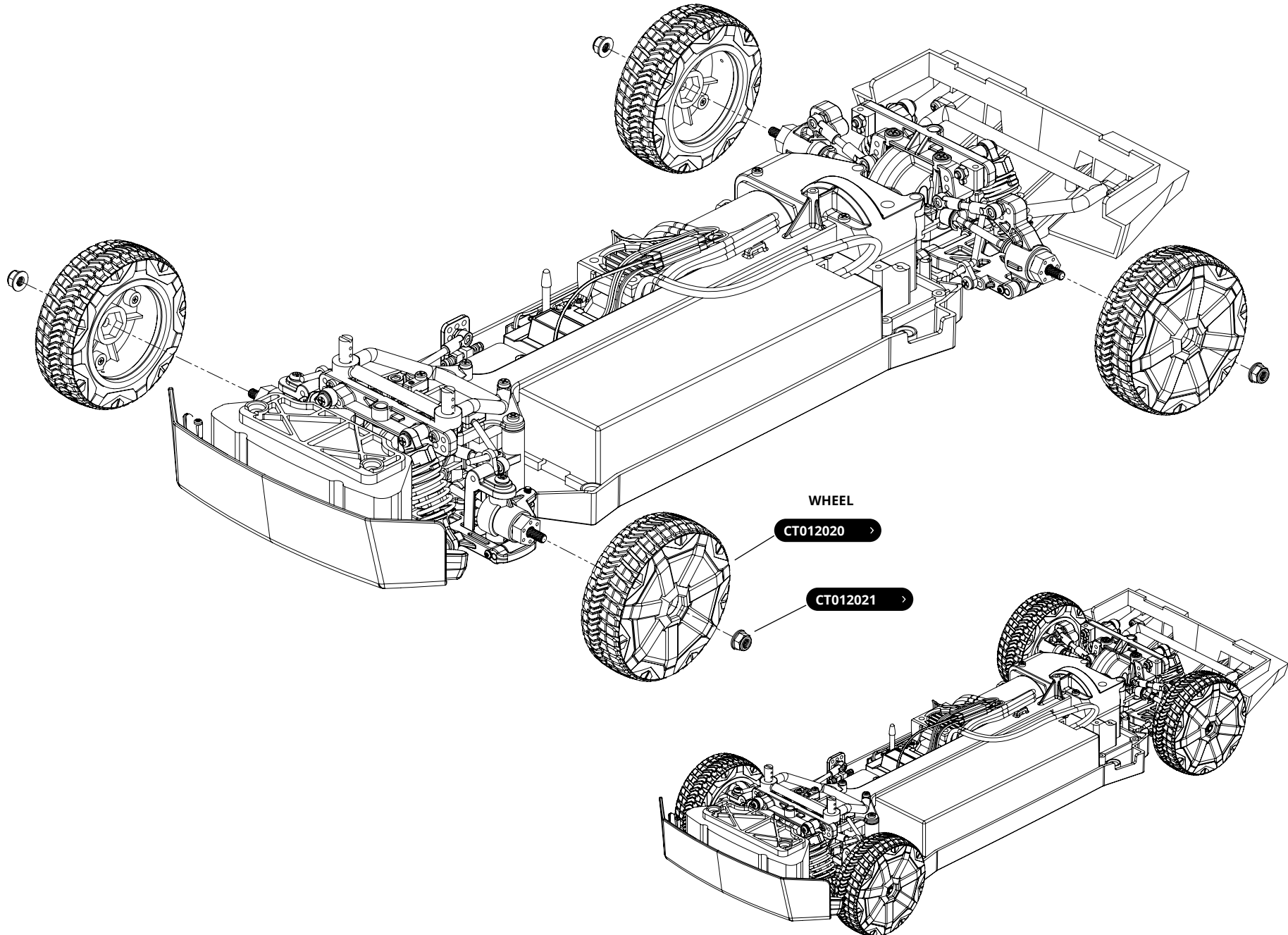
- Steering Mount
- Steering
- Steering Link
- Front Caster Link
- Chassis
- Motor Mount
- Steering Module
- Receiver Module

FRONT

- Front Anti Roll Bar
- Top Deck
- Front Bumper Guard
- Mounting Front End
- Front Bumper
- Front End Assembly
- Front Shock
- Front Upper Link
- Front Suspension
- Front Steering Hub
- Front Tower
- Front Bulkhead
- Front Differential
- Bevel Gear

REAR

- Rear Anti Roll Bar
- Mounting Rear End
- Rear Bumper
- Rear End Assembly
- Rear Shock
- Rear Upper Link
- Rear Suspension
- Rear Hub
- Rear Tower
- Rear Bulkhead
- Rear Differential
- Middle Differential



BODY AND WHEELS

- Body Mount
- Wheels Mount

► **Wheel**

CENTER

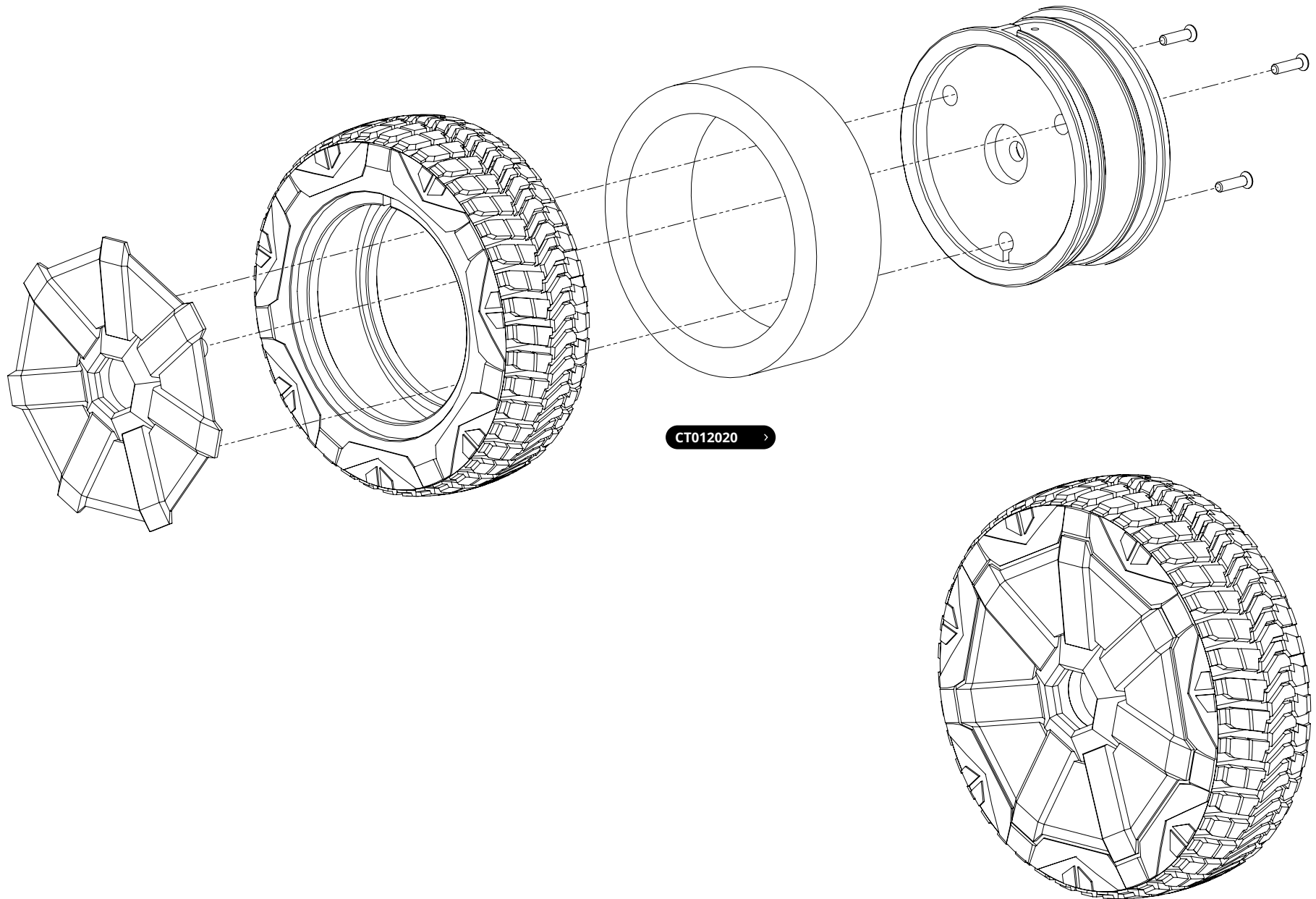
- Steering Mount
- Steering
- Steering Link
- Front Caster Link
- Chassis
- Motor Mount
- Steering Module
- Receiver Module

FRONT

- Front Anti Roll Bar
- Top Deck
- Front Bumper Guard
- Mounting Front End
- Front Bumper
- Front End Assembly
- Front Shock
- Front Upper Link
- Front Suspension
- Front Steering Hub
- Front Tower
- Front Bulkhead
- Front Differential
- Bevel Gear

REAR

- Rear Anti Roll Bar
- Mounting Rear End
- Rear Bumper
- Rear End Assembly
- Rear Shock
- Rear Upper Link
- Rear Suspension
- Rear Hub
- Rear Tower
- Rear Bulkhead
- Rear Differential
- Middle Differential



BODY AND WHEELS

- Body Mount
- Wheels Mount
- Wheel

CENTER

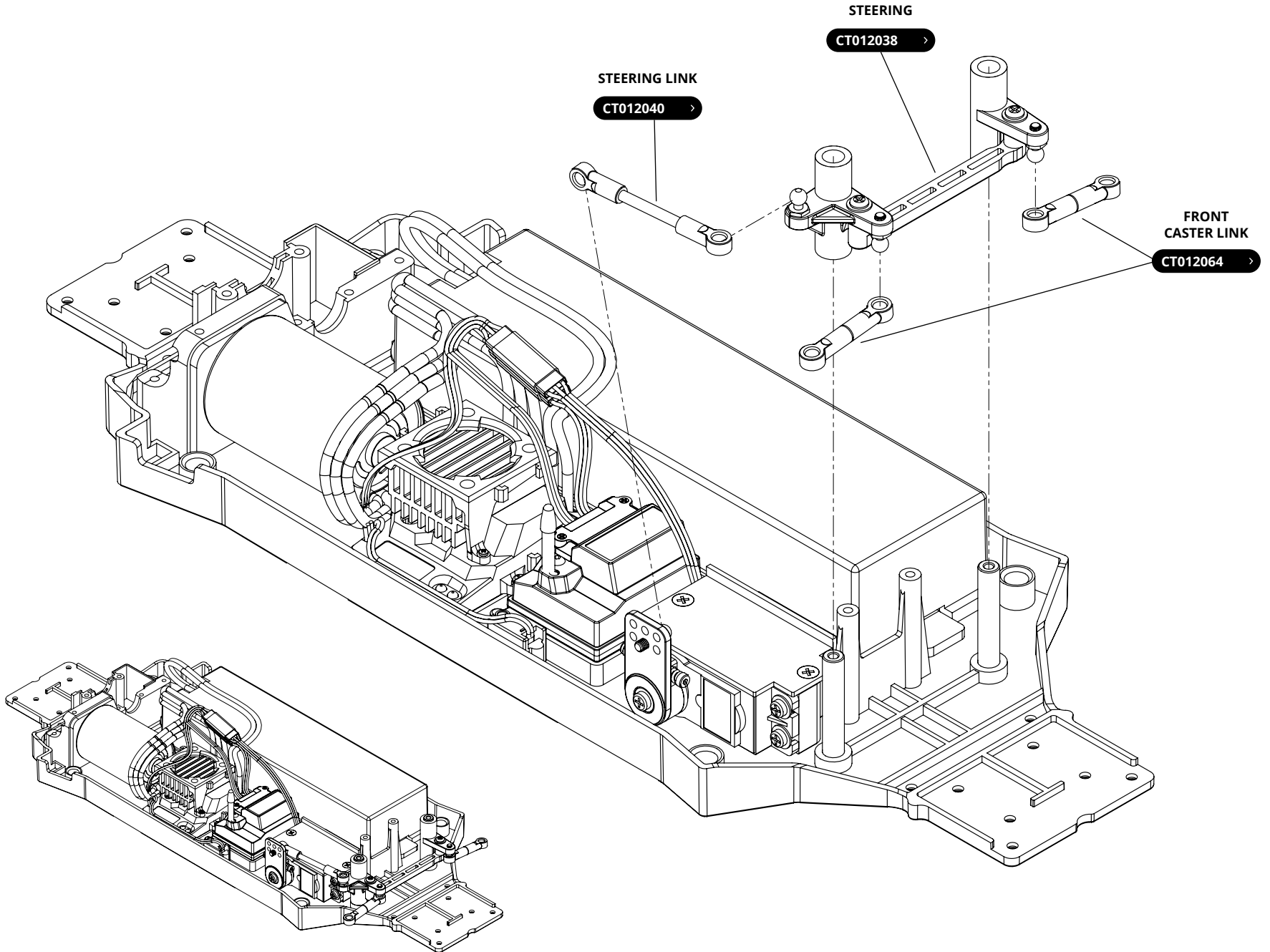
- ▶ Steering Mount
- Steering
- Steering Link
- Front Caster Link
- Chassis
- Motor Mount
- Steering Module
- Receiver Module

FRONT

- Front Anti Roll Bar
- Top Deck
- Front Bumper Guard
- Mounting Front End
- Front Bumper
- Front End Assembly
- Front Shock
- Front Upper Link
- Front Suspension
- Front Steering Hub
- Front Tower
- Front Bulkhead
- Front Differential
- Bevel Gear

REAR

- Rear Anti Roll Bar
- Mounting Rear End
- Rear Bumper
- Rear End Assembly
- Rear Shock
- Rear Upper Link
- Rear Suspension
- Rear Hub
- Rear Tower
- Rear Bulkhead
- Rear Differential
- Middle Differential



BODY AND WHEELS

- Body Mount
- Wheels Mount
- Wheel

CENTER

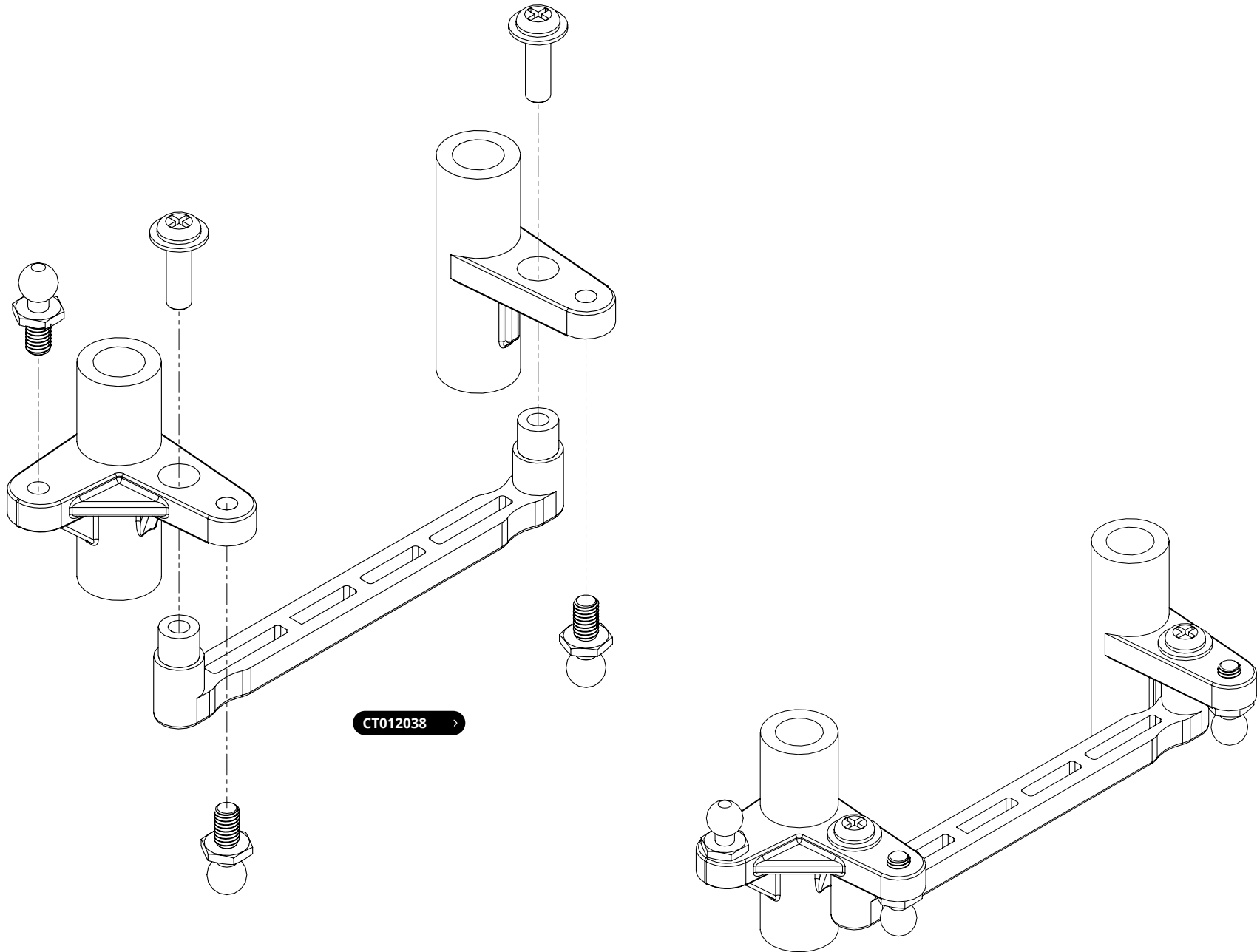
- Steering Mount
- **Steering**
- Steering Link
- Front Caster Link
- Chassis
- Motor Mount
- Steering Module
- Receiver Module

FRONT

- Front Anti Roll Bar
- Top Deck
- Front Bumper Guard
- Mounting Front End
- Front Bumper
- Front End Assembly
- Front Shock
- Front Upper Link
- Front Suspension
- Front Steering Hub
- Front Tower
- Front Bulkhead
- Front Differential
- Bevel Gear

REAR

- Rear Anti Roll Bar
- Mounting Rear End
- Rear Bumper
- Rear End Assembly
- Rear Shock
- Rear Upper Link
- Rear Suspension
- Rear Hub
- Rear Tower
- Rear Bulkhead
- Rear Differential
- Middle Differential



BODY AND WHEELS

- Body Mount
- Wheels Mount
- Wheel

CENTER

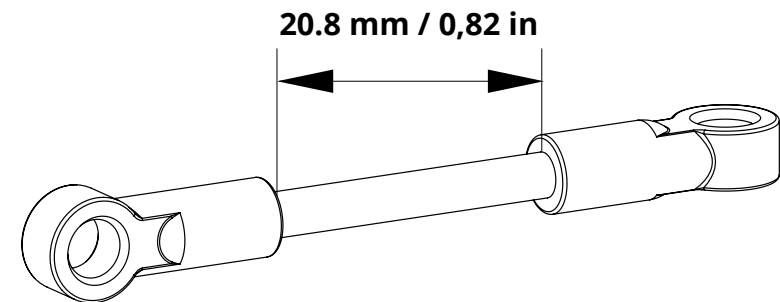
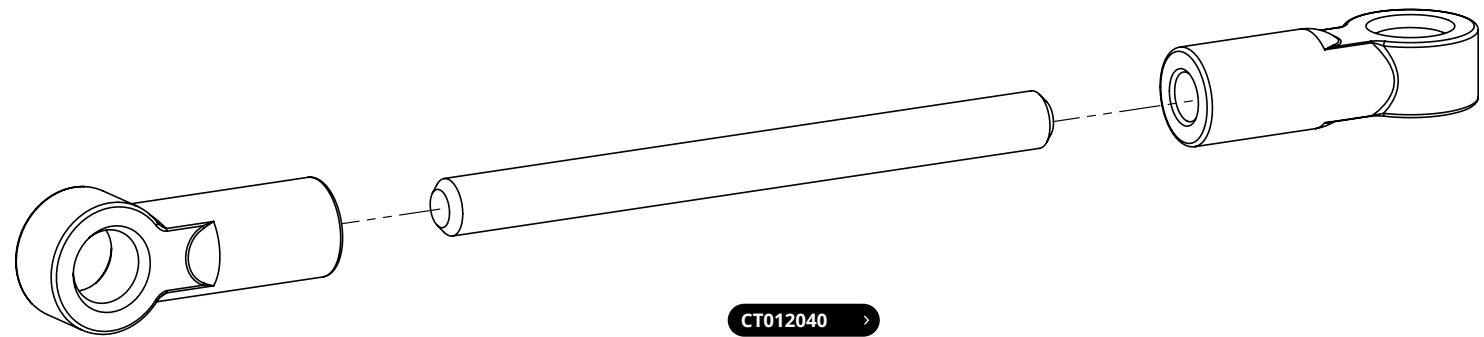
- Steering Mount
- Steering
- **Steering Link**
- Front Caster Link
- Chassis
- Motor Mount
- Steering Module
- Receiver Module

FRONT

- Front Anti Roll Bar
- Top Deck
- Front Bumper Guard
- Mounting Front End
- Front Bumper
- Front End Assembly
- Front Shock
- Front Upper Link
- Front Suspension
- Front Steering Hub
- Front Tower
- Front Bulkhead
- Front Differential
- Bevel Gear

REAR

- Rear Anti Roll Bar
- Mounting Rear End
- Rear Bumper
- Rear End Assembly
- Rear Shock
- Rear Upper Link
- Rear Suspension
- Rear Hub
- Rear Tower
- Rear Bulkhead
- Rear Differential
- Middle Differential



BODY AND WHEELS

- Body Mount
- Wheels Mount
- Wheel

CENTER

- Steering Mount
- Steering
- Steering Link

► **Front Caster Link**

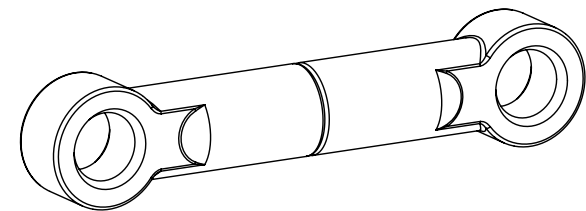
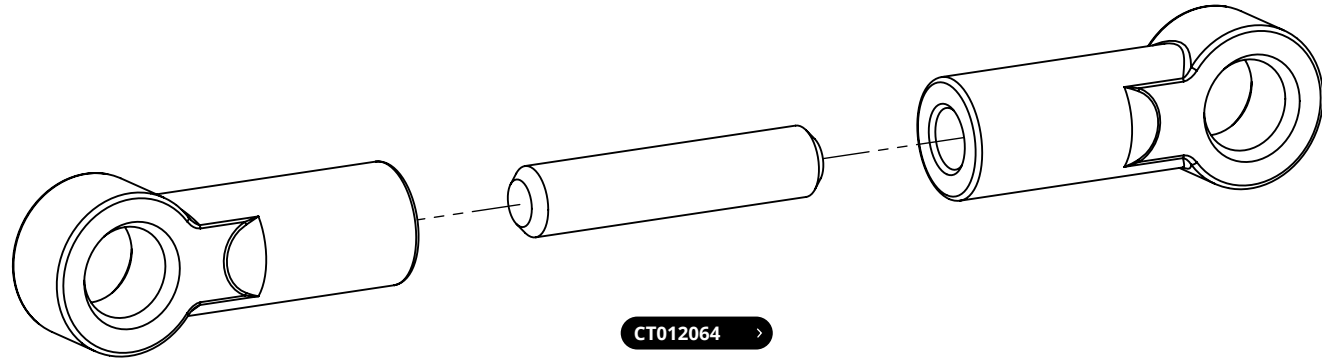
- Chassis
- Motor Mount
- Steering Module
- Receiver Module

FRONT

- Front Anti Roll Bar
- Top Deck
- Front Bumper Guard
- Mounting Front End
- Front Bumper
- Front End Assembly
- Front Shock
- Front Upper Link
- Front Suspension
- Front Steering Hub
- Front Tower
- Front Bulkhead
- Front Differential
- Bevel Gear

REAR

- Rear Anti Roll Bar
- Mounting Rear End
- Rear Bumper
- Rear End Assembly
- Rear Shock
- Rear Upper Link
- Rear Suspension
- Rear Hub
- Rear Tower
- Rear Bulkhead
- Rear Differential
- Middle Differential



BODY AND WHEELS

- Body Mount
- Wheels Mount
- Wheel

CENTER

- Steering Mount
- Steering
- Steering Link
- Front Caster Link

► **Chassis**

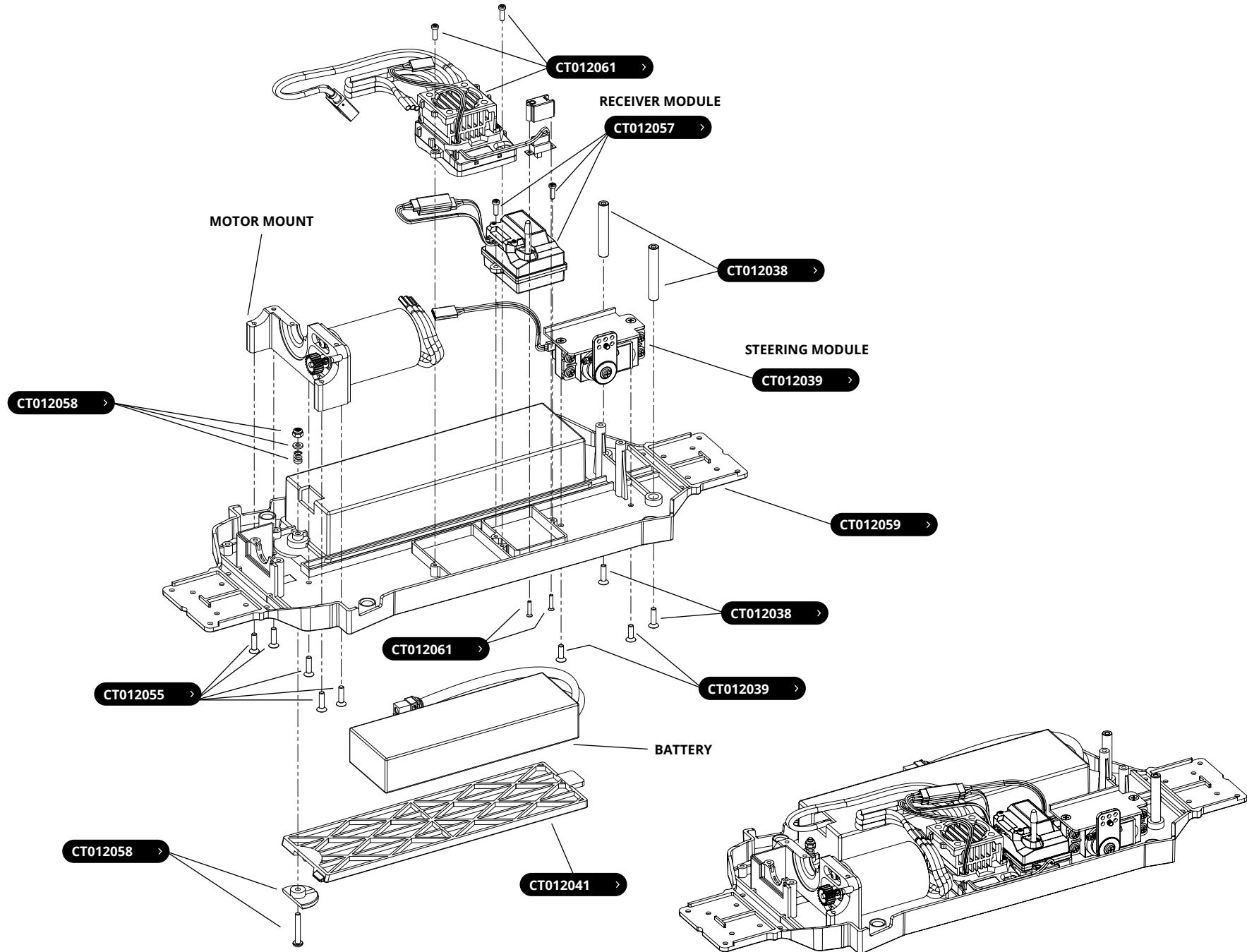
- Motor Mount
- Steering Module
- Receiver Module

FRONT

- Front Anti Roll Bar
- Top Deck
- Front Bumper Guard
- Mounting Front End
- Front Bumper
- Front End Assembly
- Front Shock
- Front Upper Link
- Front Suspension
- Front Steering Hub
- Front Tower
- Front Bulkhead
- Front Differential
- Bevel Gear

REAR

- Rear Anti Roll Bar
- Mounting Rear End
- Rear Bumper
- Rear End Assembly
- Rear Shock
- Rear Upper Link
- Rear Suspension
- Rear Hub
- Rear Tower
- Rear Bulkhead
- Rear Differential
- Middle Differential



BODY AND WHEELS

- Body Mount
- Wheels Mount
- Wheel

CENTER

- Steering Mount
- Steering
- Steering Link
- Front Caster Link
- Chassis

► **Motor Mount**

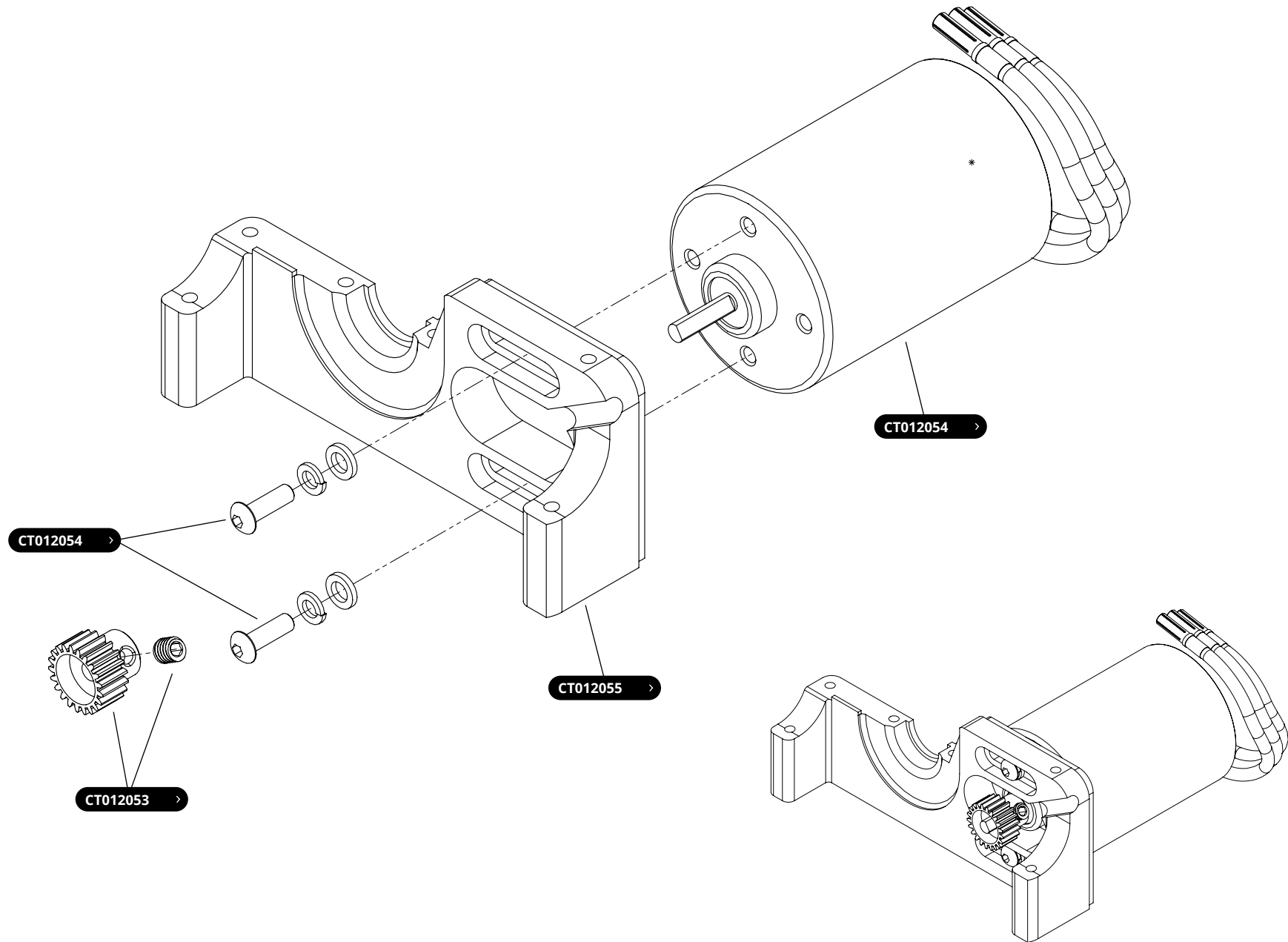
- Steering Module
- Receiver Module

FRONT

- Front Anti Roll Bar
- Top Deck
- Front Bumper Guard
- Mounting Front End
- Front Bumper
- Front End Assembly
- Front Shock
- Front Upper Link
- Front Suspension
- Front Steering Hub
- Front Tower
- Front Bulkhead
- Front Differential
- Bevel Gear

REAR

- Rear Anti Roll Bar
- Mounting Rear End
- Rear Bumper
- Rear End Assembly
- Rear Shock
- Rear Upper Link
- Rear Suspension
- Rear Hub
- Rear Tower
- Rear Bulkhead
- Rear Differential
- Middle Differential



BODY AND WHEELS

- Body Mount
- Wheels Mount
- Wheel

CENTER

- Steering Mount
- Steering
- Steering Link
- Front Caster Link
- Chassis
- Motor Mount

► **Steering Module**

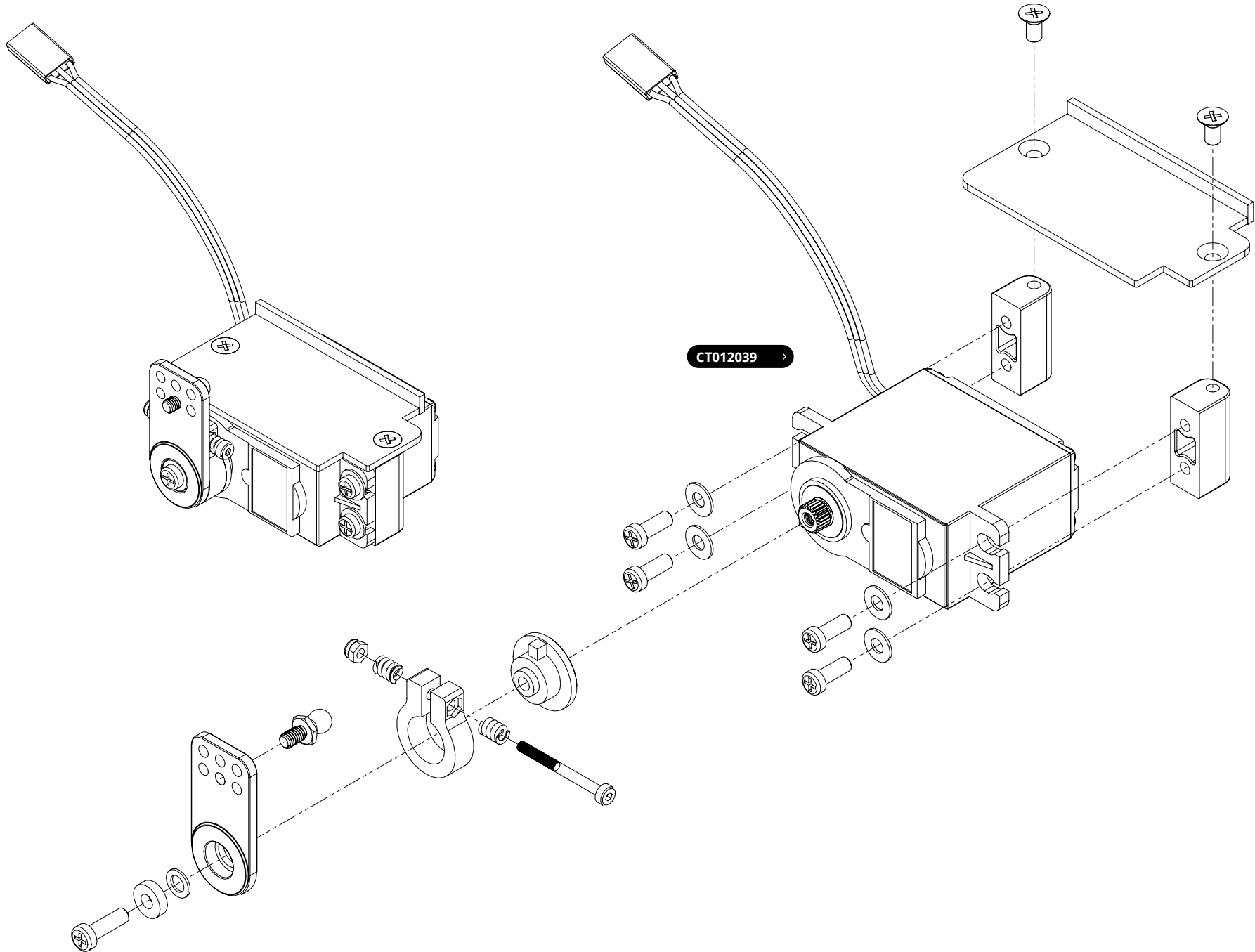
- Receiver Module

FRONT

- Front Anti Roll Bar
- Top Deck
- Front Bumper Guard
- Mounting Front End
- Front Bumper
- Front End Assembly
- Front Shock
- Front Upper Link
- Front Suspension
- Front Steering Hub
- Front Tower
- Front Bulkhead
- Front Differential
- Bevel Gear

REAR

- Rear Anti Roll Bar
- Mounting Rear End
- Rear Bumper
- Rear End Assembly
- Rear Shock
- Rear Upper Link
- Rear Suspension
- Rear Hub
- Rear Tower
- Rear Bulkhead
- Rear Differential
- Middle Differential



BODY AND WHEELS

- Body Mount
- Wheels Mount
- Wheel

CENTER

- Steering Mount
- Steering
- Steering Link
- Front Caster Link
- Chassis
- Motor Mount
- Steering Module

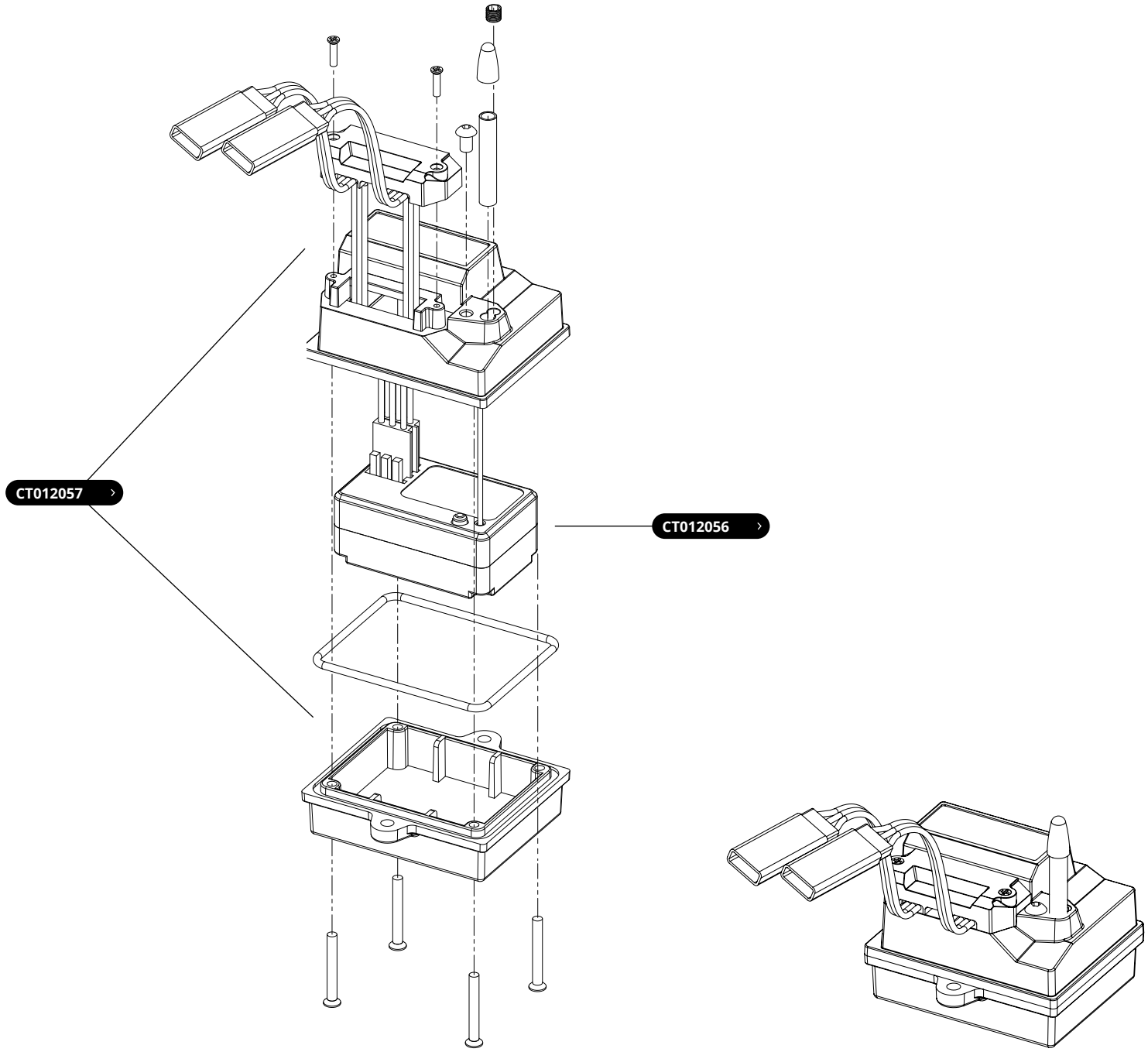
► **Receiver Module**

FRONT

- Front Anti Roll Bar
- Top Deck
- Front Bumper Guard
- Mounting Front End
- Front Bumper
- Front End Assembly
- Front Shock
- Front Upper Link
- Front Suspension
- Front Steering Hub
- Front Tower
- Front Bulkhead
- Front Differential
- Bevel Gear

REAR

- Rear Anti Roll Bar
- Mounting Rear End
- Rear Bumper
- Rear End Assembly
- Rear Shock
- Rear Upper Link
- Rear Suspension
- Rear Hub
- Rear Tower
- Rear Bulkhead
- Rear Differential
- Middle Differential



BODY AND WHEELS

- Body Mount
- Wheels Mount
- Wheel

CENTER

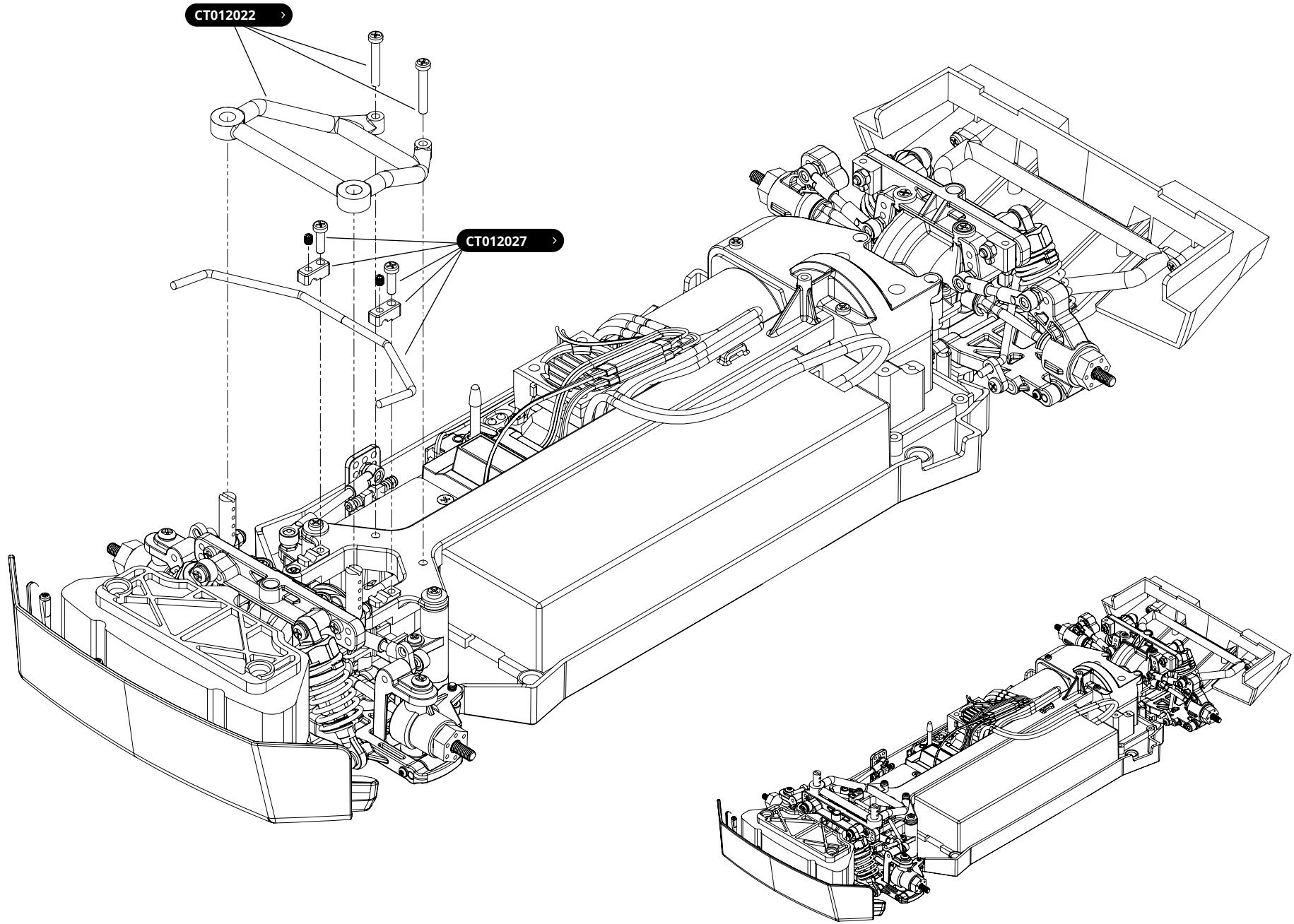
- Steering Mount
- Steering
- Steering Link
- Front Caster Link
- Chassis
- Motor Mount
- Steering Module
- Receiver Module

FRONT

- ▶ Front Anti Roll Bar
- Top Deck
- Front Bumper Guard
- Mounting Front End
- Front Bumper
- Front End Assembly
- Front Shock
- Front Upper Link
- Front Suspension
- Front Steering Hub
- Front Tower
- Front Bulkhead
- Front Differential
- Bevel Gear

REAR

- Rear Anti Roll Bar
- Mounting Rear End
- Rear Bumper
- Rear End Assembly
- Rear Shock
- Rear Upper Link
- Rear Suspension
- Rear Hub
- Rear Tower
- Rear Bulkhead
- Rear Differential
- Middle Differential



BODY AND WHEELS

- Body Mount
- Wheels Mount
- Wheel

CENTER

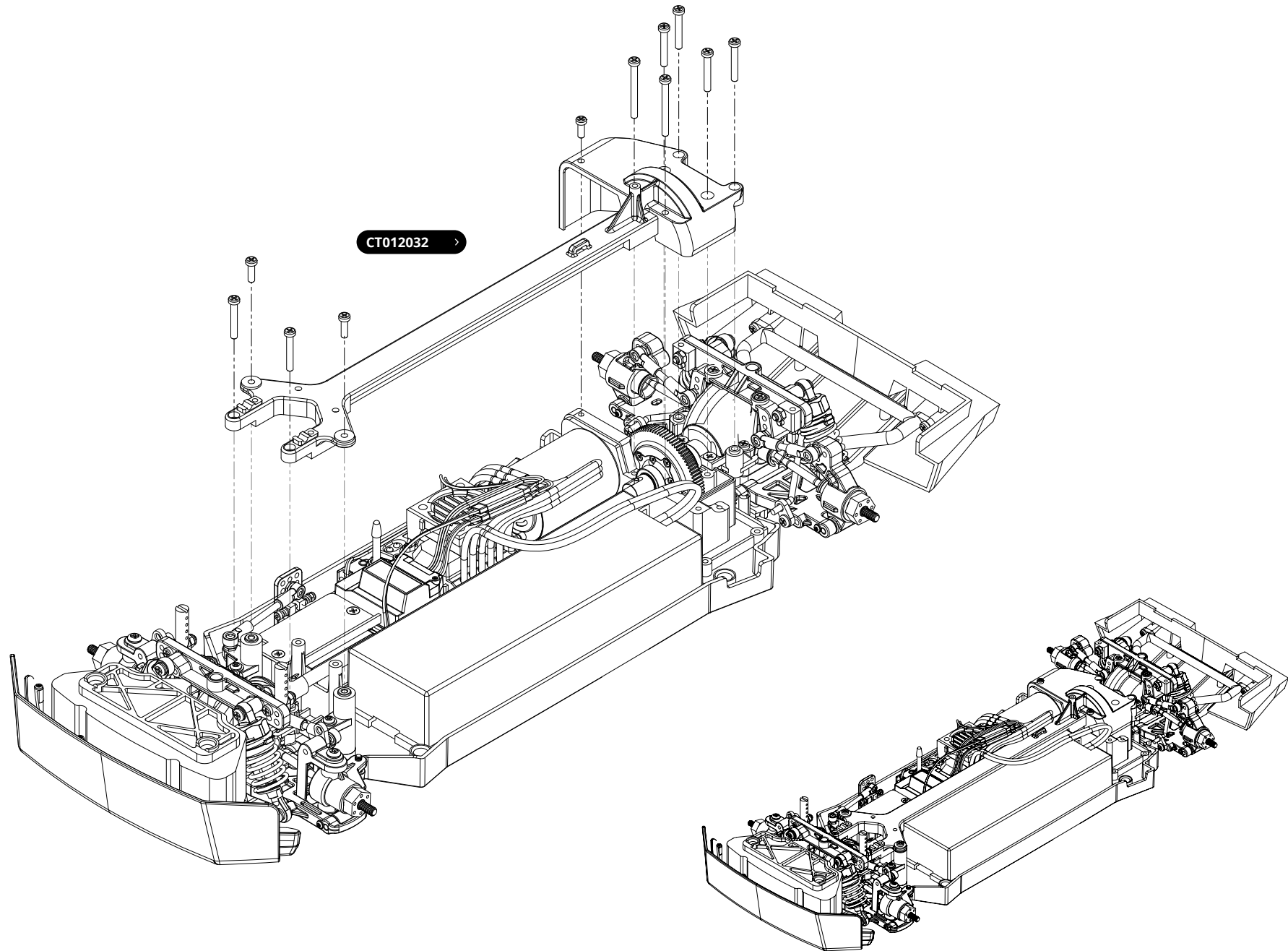
- Steering Mount
- Steering
- Steering Link
- Front Caster Link
- Chassis
- Motor Mount
- Steering Module
- Receiver Module

FRONT

- Front Anti Roll Bar
- ▶ Top Deck
- Front Bumper Guard
- Mounting Front End
- Front Bumper
- Front End Assembly
- Front Shock
- Front Upper Link
- Front Suspension
- Front Steering Hub
- Front Tower
- Front Bulkhead
- Front Differential
- Bevel Gear

REAR

- Rear Anti Roll Bar
- Mounting Rear End
- Rear Bumper
- Rear End Assembly
- Rear Shock
- Rear Upper Link
- Rear Suspension
- Rear Hub
- Rear Tower
- Rear Bulkhead
- Rear Differential
- Middle Differential



BODY AND WHEELS

- Body Mount
- Wheels Mount
- Wheel

CENTER

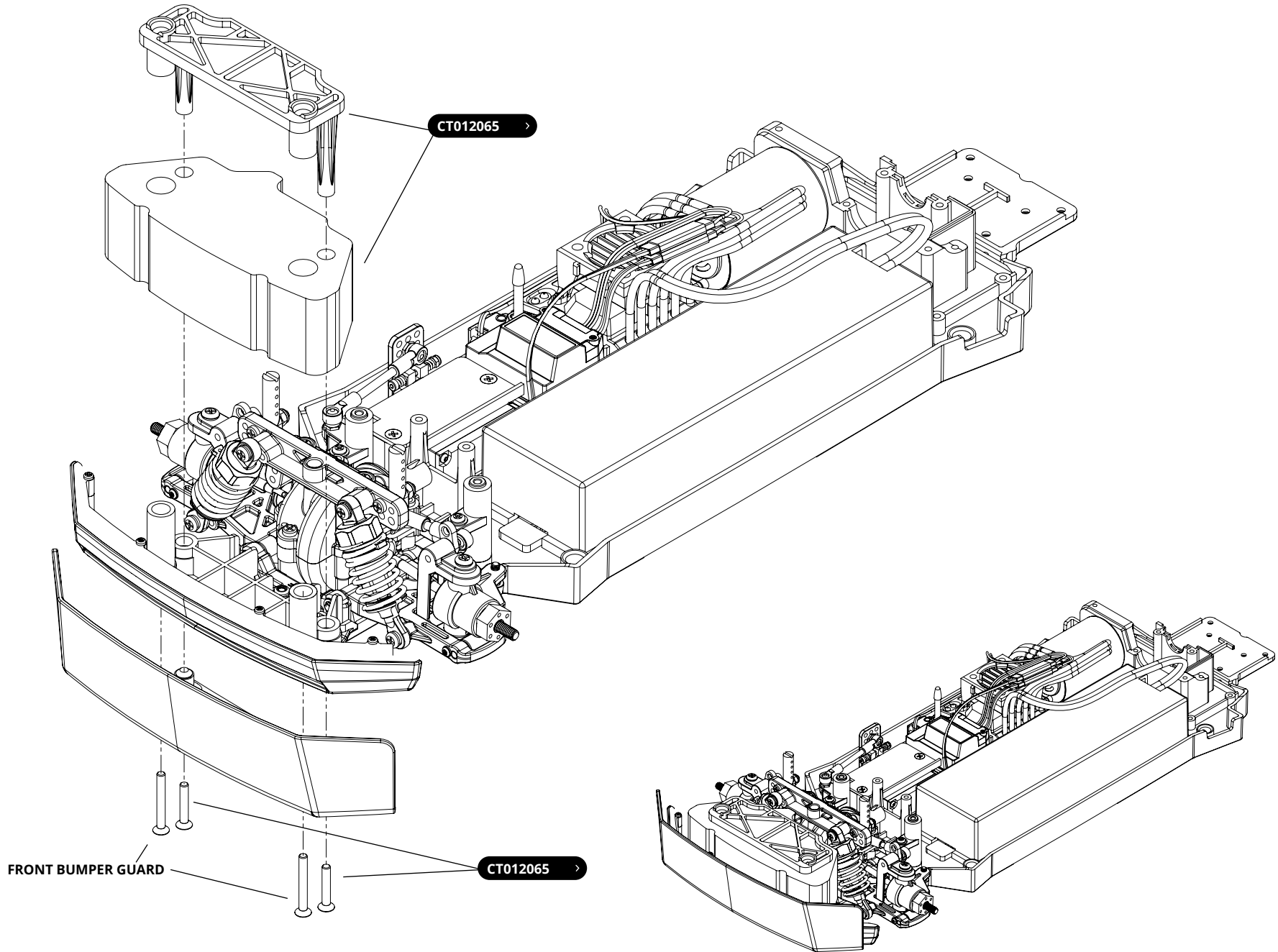
- Steering Mount
- Steering
- Steering Link
- Front Caster Link
- Chassis
- Motor Mount
- Steering Module
- Receiver Module

FRONT

- Front Anti Roll Bar
- Top Deck
- ▶ Front Bumper Guard
- Mounting Front End
- Front Bumper
- Front End Assembly
- Front Shock
- Front Upper Link
- Front Suspension
- Front Steering Hub
- Front Tower
- Front Bulkhead
- Front Differential
- Bevel Gear

REAR

- Rear Anti Roll Bar
- Mounting Rear End
- Rear Bumper
- Rear End Assembly
- Rear Shock
- Rear Upper Link
- Rear Suspension
- Rear Hub
- Rear Tower
- Rear Bulkhead
- Rear Differential
- Middle Differential



BODY AND WHEELS

- Body Mount
- Wheels Mount
- Wheel

CENTER

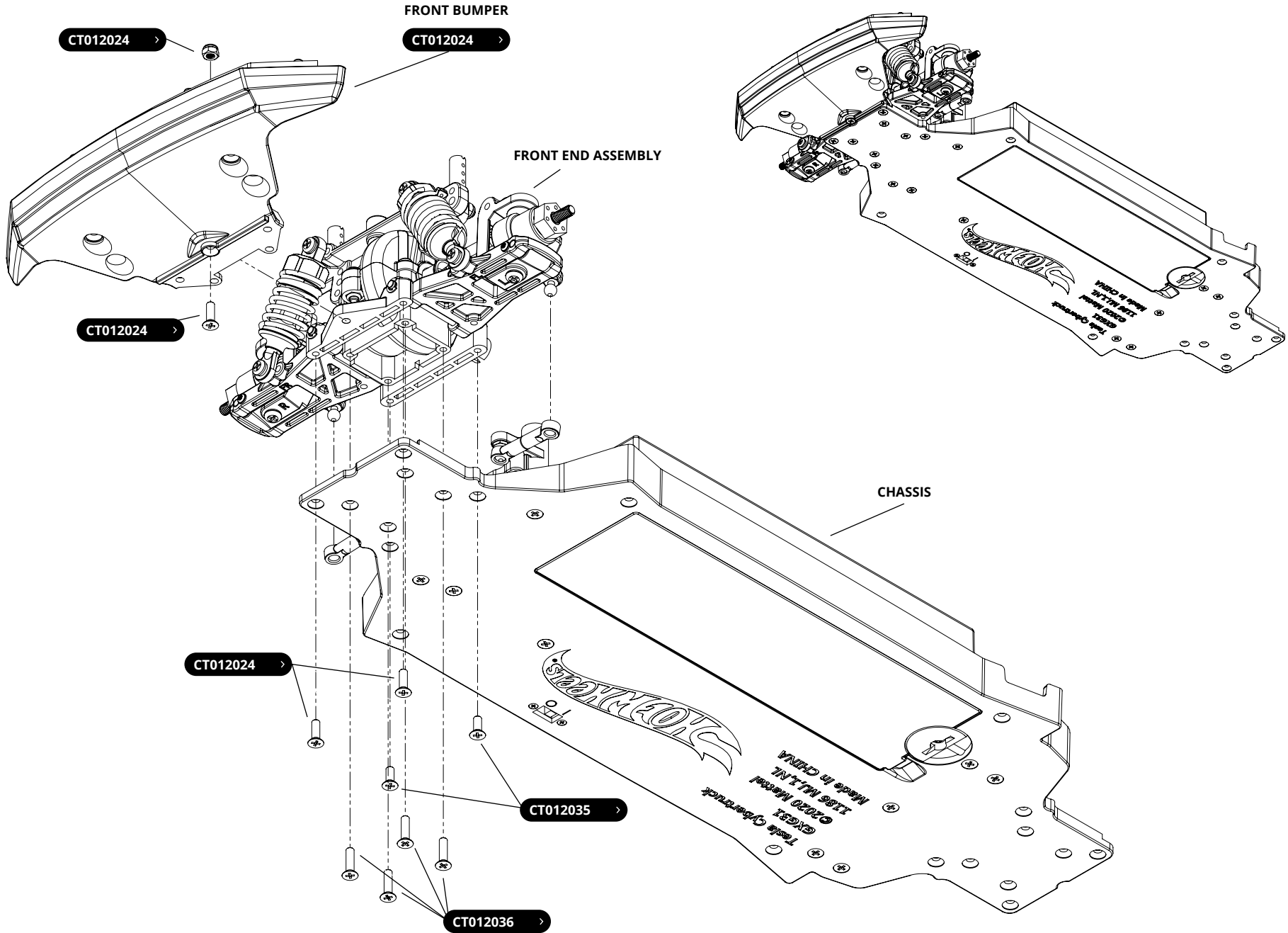
- Steering Mount
- Steering
- Steering Link
- Front Caster Link
- Chassis
- Motor Mount
- Steering Module
- Receiver Module

FRONT

- Front Anti Roll Bar
- Top Deck
- Front Bumper Guard
- ▶ Mounting Front End
- Front Bumper
- Front End Assembly
- Front Shock
- Front Upper Link
- Front Suspension
- Front Steering Hub
- Front Tower
- Front Bulkhead
- Front Differential
- Bevel Gear

REAR

- Rear Anti Roll Bar
- Mounting Rear End
- Rear Bumper
- Rear End Assembly
- Rear Shock
- Rear Upper Link
- Rear Suspension
- Rear Hub
- Rear Tower
- Rear Bulkhead
- Rear Differential
- Middle Differential



BODY AND WHEELS

- Body Mount
- Wheels Mount
- Wheel

CENTER

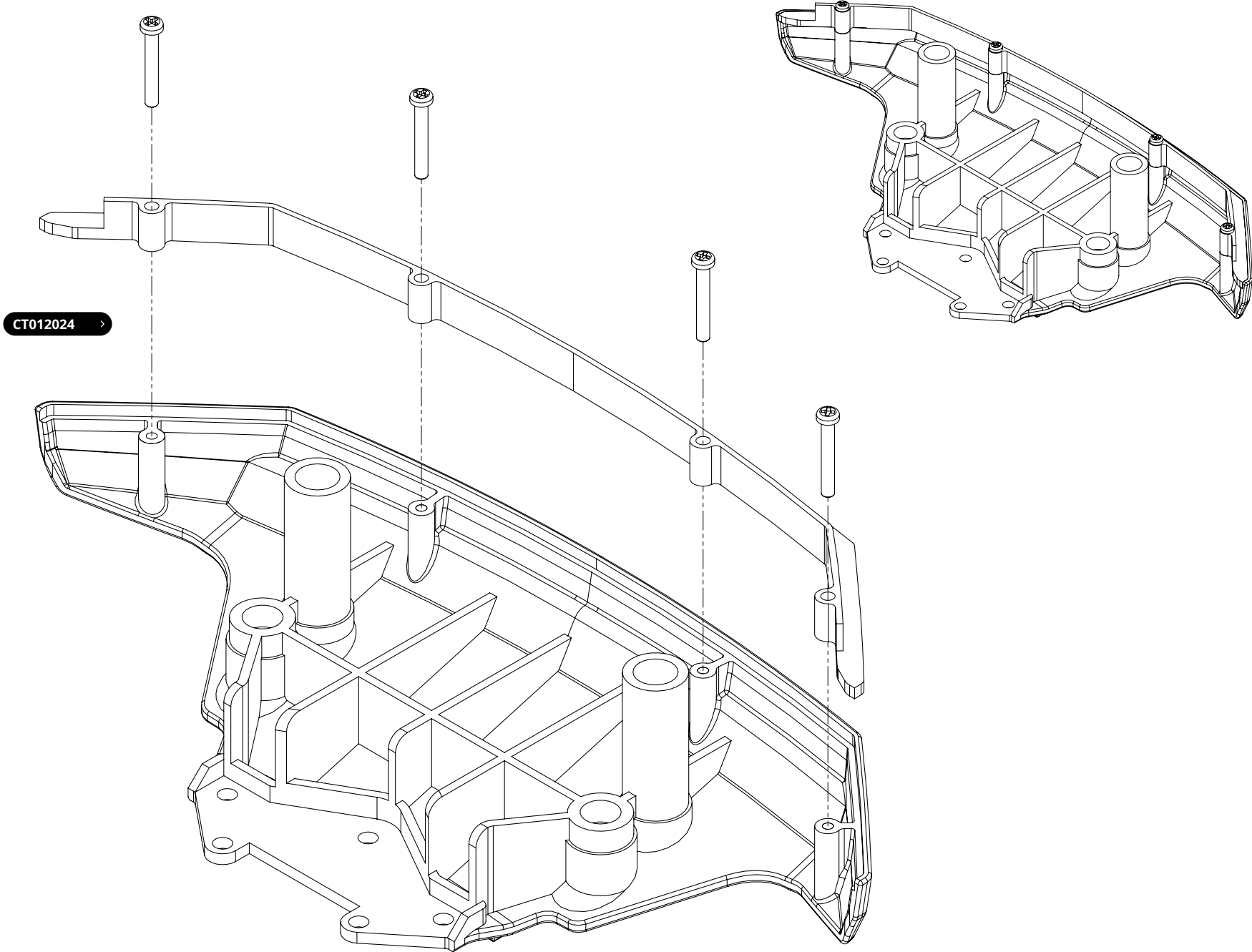
- Steering Mount
- Steering
- Steering Link
- Front Caster Link
- Chassis
- Motor Mount
- Steering Module
- Receiver Module

FRONT

- Front Anti Roll Bar
- Top Deck
- Front Bumper Guard
- Mounting Front End
- ▶ **Front Bumper**
- Front End Assembly
- Front Shock
- Front Upper Link
- Front Suspension
- Front Steering Hub
- Front Tower
- Front Bulkhead
- Front Differential
- Bevel Gear

REAR

- Rear Anti Roll Bar
- Mounting Rear End
- Rear Bumper
- Rear End Assembly
- Rear Shock
- Rear Upper Link
- Rear Suspension
- Rear Hub
- Rear Tower
- Rear Bulkhead
- Rear Differential
- Middle Differential



BODY AND WHEELS

- Body Mount
- Wheels Mount
- Wheel

CENTER

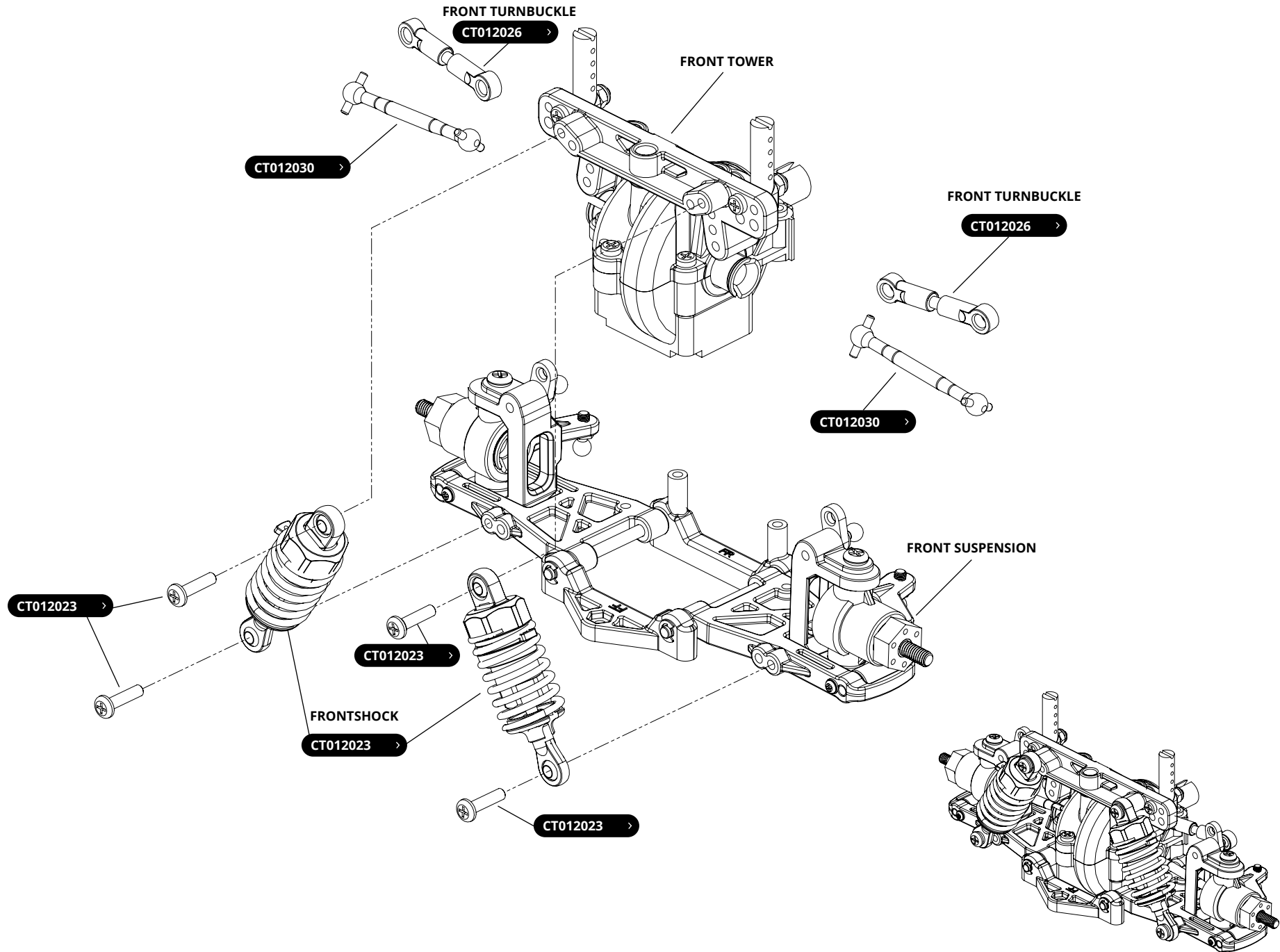
- Steering Mount
- Steering
- Steering Link
- Front Caster Link
- Chassis
- Motor Mount
- Steering Module
- Receiver Module

FRONT

- Front Anti Roll Bar
- Top Deck
- Front Bumper Guard
- Mounting Front End
- Front Bumper
- ▶ Front End Assembly
- Front Shock
- Front Upper Link
- Front Suspension
- Front Steering Hub
- Front Tower
- Front Bulkhead
- Front Differential
- Bevel Gear

REAR

- Rear Anti Roll Bar
- Mounting Rear End
- Rear Bumper
- Rear End Assembly
- Rear Shock
- Rear Upper Link
- Rear Suspension
- Rear Hub
- Rear Tower
- Rear Bulkhead
- Rear Differential
- Middle Differential



BODY AND WHEELS

- Body Mount
- Wheels Mount
- Wheel

CENTER

- Steering Mount
- Steering
- Steering Link
- Front Caster Link
- Chassis
- Motor Mount
- Steering Module
- Receiver Module

FRONT

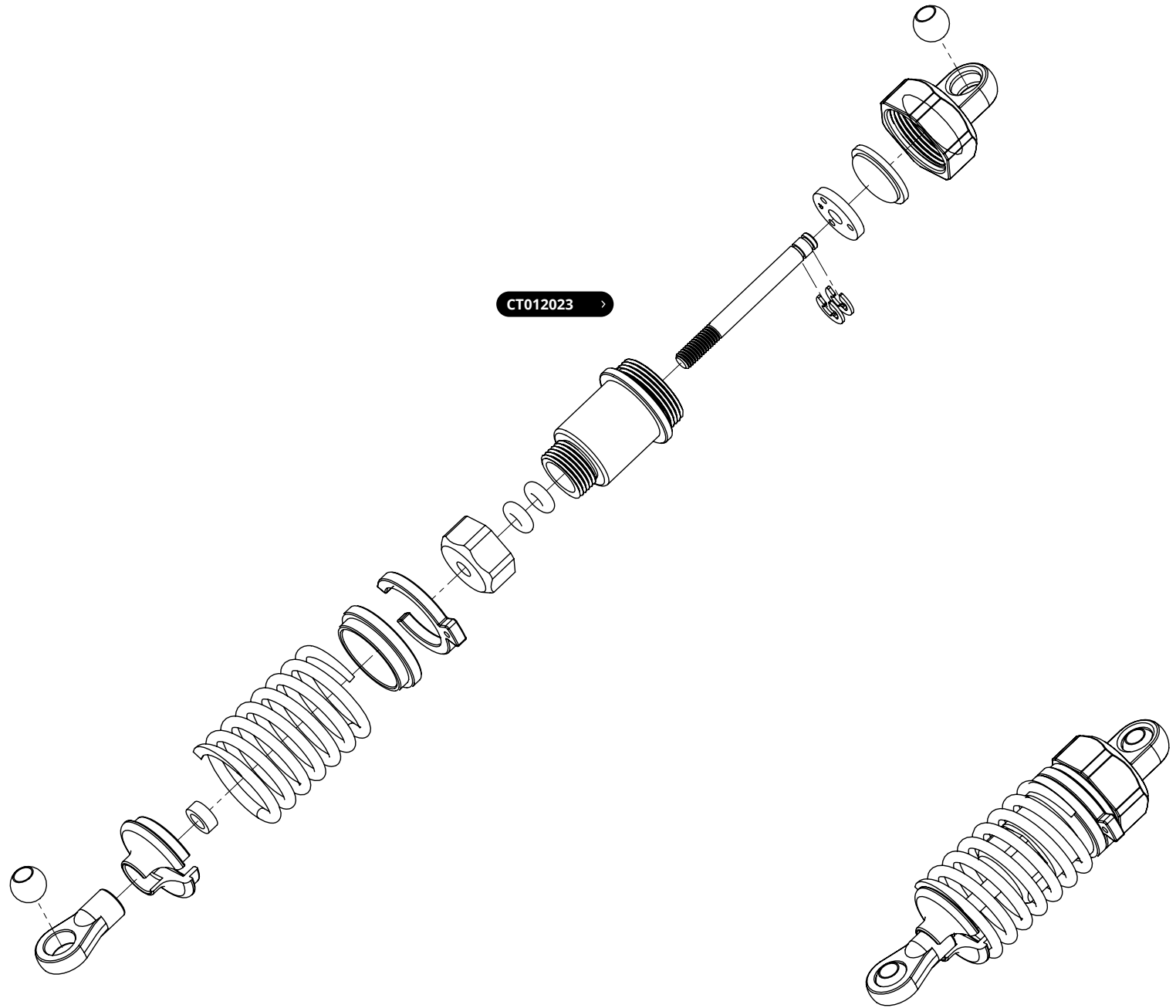
- Front Anti Roll Bar
- Top Deck
- Front Bumper Guard
- Mounting Front End
- Front Bumper
- Front End Assembly

► **Front Shock**

- Front Upper Link
- Front Suspension
- Front Steering Hub
- Front Tower
- Front Bulkhead
- Front Differential
- Bevel Gear

REAR

- Rear Anti Roll Bar
- Mounting Rear End
- Rear Bumper
- Rear End Assembly
- Rear Shock
- Rear Upper Link
- Rear Suspension
- Rear Hub
- Rear Tower
- Rear Bulkhead
- Rear Differential
- Middle Differential



BODY AND WHEELS

- Body Mount
- Wheels Mount
- Wheel

CENTER

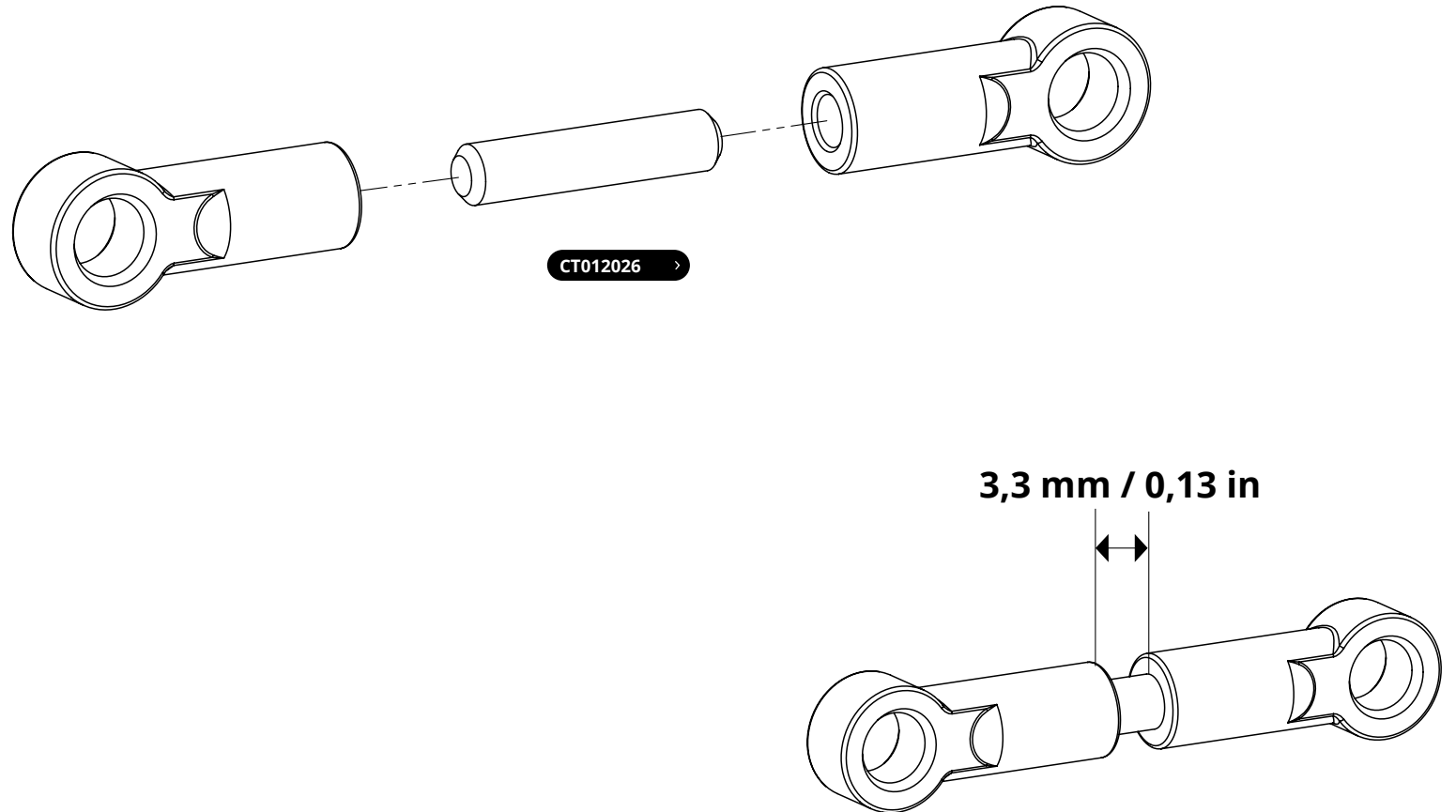
- Steering Mount
- Steering
- Steering Link
- Front Caster Link
- Chassis
- Motor Mount
- Steering Module
- Receiver Module

FRONT

- Front Anti Roll Bar
- Top Deck
- Front Bumper Guard
- Mounting Front End
- Front Bumper
- Front End Assembly
- Front Shock
- ▶ Front Upper Link
- Front Suspension
- Front Steering Hub
- Front Tower
- Front Bulkhead
- Front Differential
- Bevel Gear

REAR

- Rear Anti Roll Bar
- Mounting Rear End
- Rear Bumper
- Rear End Assembly
- Rear Shock
- Rear Upper Link
- Rear Suspension
- Rear Hub
- Rear Tower
- Rear Bulkhead
- Rear Differential
- Middle Differential



BODY AND WHEELS

- Body Mount
- Wheels Mount
- Wheel

CENTER

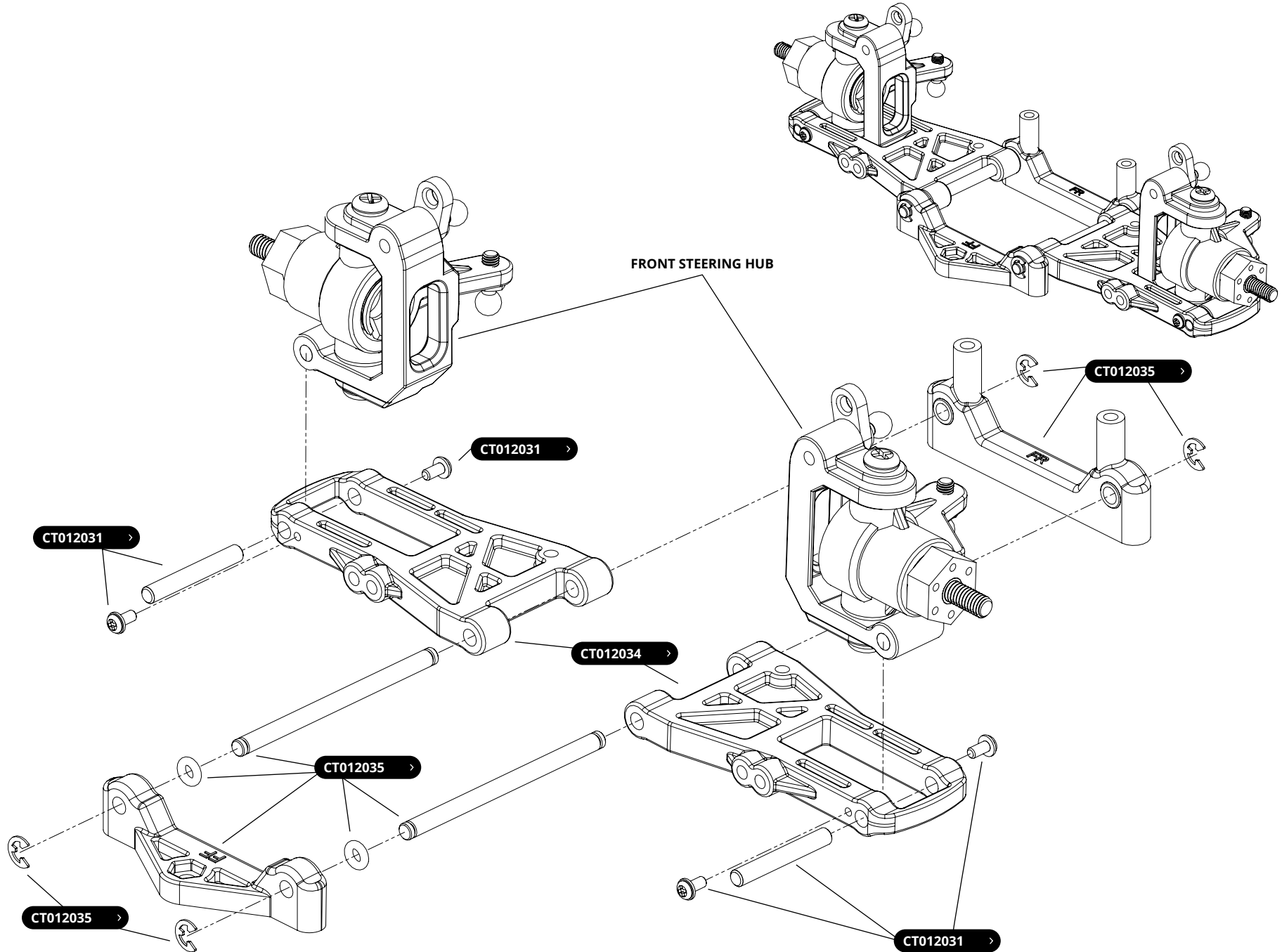
- Steering Mount
- Steering
- Steering Link
- Front Caster Link
- Chassis
- Motor Mount
- Steering Module
- Receiver Module

FRONT

- Front Anti Roll Bar
- Top Deck
- Front Bumper Guard
- Mounting Front End
- Front Bumper
- Front End Assembly
- Front Shock
- Front Upper Link
- ▶ Front Suspension
- Front Steering Hub
- Front Tower
- Front Bulkhead
- Front Differential
- Bevel Gear

REAR

- Rear Anti Roll Bar
- Mounting Rear End
- Rear Bumper
- Rear End Assembly
- Rear Shock
- Rear Upper Link
- Rear Suspension
- Rear Hub
- Rear Tower
- Rear Bulkhead
- Rear Differential
- Middle Differential



BODY AND WHEELS

- Body Mount
- Wheels Mount
- Wheel

CENTER

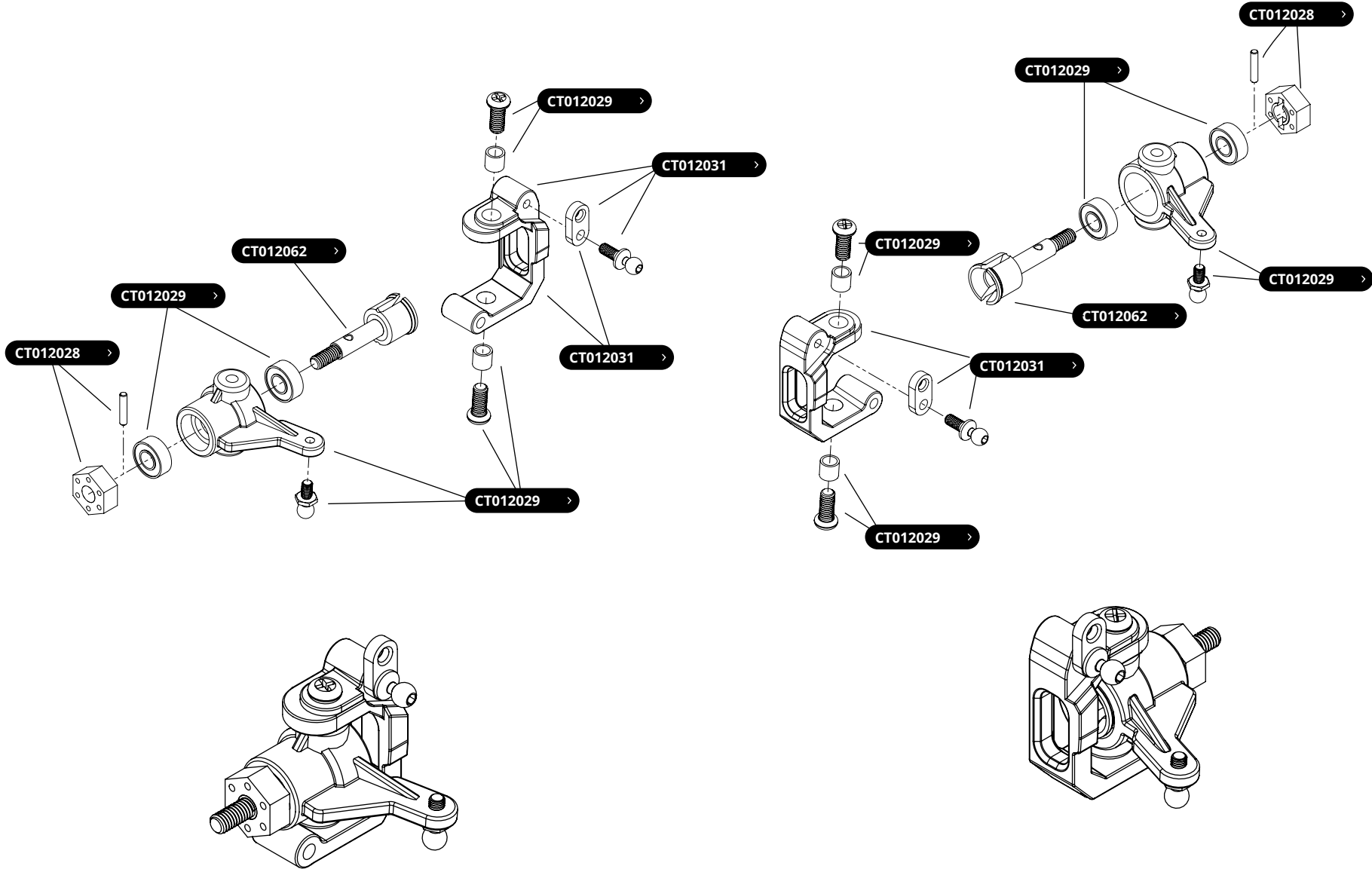
- Steering Mount
- Steering
- Steering Link
- Front Caster Link
- Chassis
- Motor Mount
- Steering Module
- Receiver Module

FRONT

- Front Anti Roll Bar
- Top Deck
- Front Bumper Guard
- Mounting Front End
- Front Bumper
- Front End Assembly
- Front Shock
- Front Upper Link
- Front Suspension
- ▶ Front Steering Hub
- Front Tower
- Front Bulkhead
- Front Differential
- Bevel Gear

REAR

- Rear Anti Roll Bar
- Mounting Rear End
- Rear Bumper
- Rear End Assembly
- Rear Shock
- Rear Upper Link
- Rear Suspension
- Rear Hub
- Rear Tower
- Rear Bulkhead
- Rear Differential
- Middle Differential



BODY AND WHEELS

- Body Mount
- Wheels Mount
- Wheel

CENTER

- Steering Mount
- Steering
- Steering Link
- Front Caster Link
- Chassis
- Motor Mount
- Steering Module
- Receiver Module

FRONT

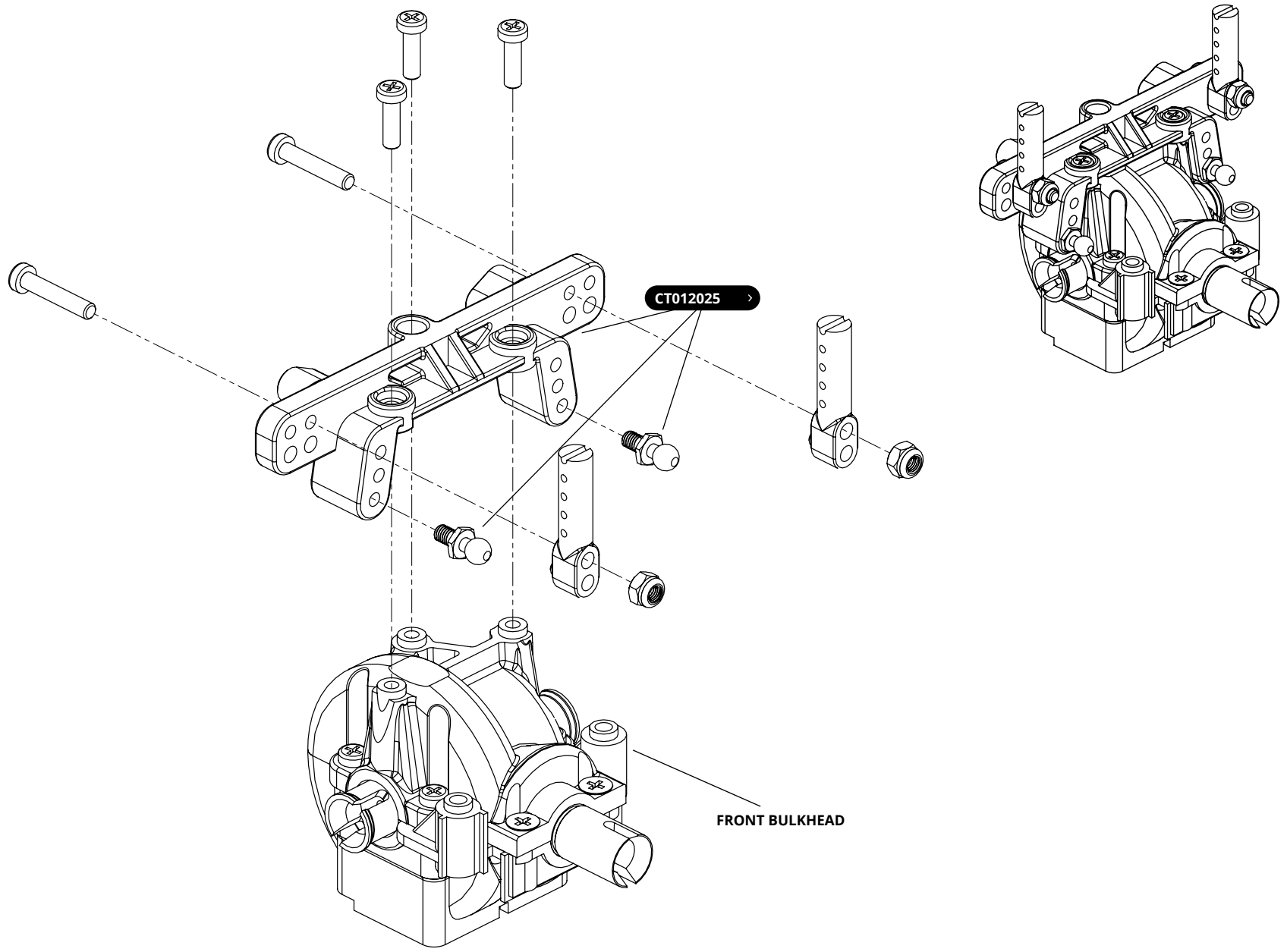
- Front Anti Roll Bar
- Top Deck
- Front Bumper Guard
- Mounting Front End
- Front Bumper
- Front End Assembly
- Front Shock
- Front Upper Link
- Front Suspension
- Front Steering Hub

► **Front Tower**

- Front Bulkhead
- Front Differential
- Bevel Gear

REAR

- Rear Anti Roll Bar
- Mounting Rear End
- Rear Bumper
- Rear End Assembly
- Rear Shock
- Rear Upper Link
- Rear Suspension
- Rear Hub
- Rear Tower
- Rear Bulkhead
- Rear Differential
- Middle Differential



BODY AND WHEELS

- Body Mount
- Wheels Mount
- Wheel

CENTER

- Steering Mount
- Steering
- Steering Link
- Front Caster Link
- Chassis
- Motor Mount
- Steering Module
- Receiver Module

FRONT

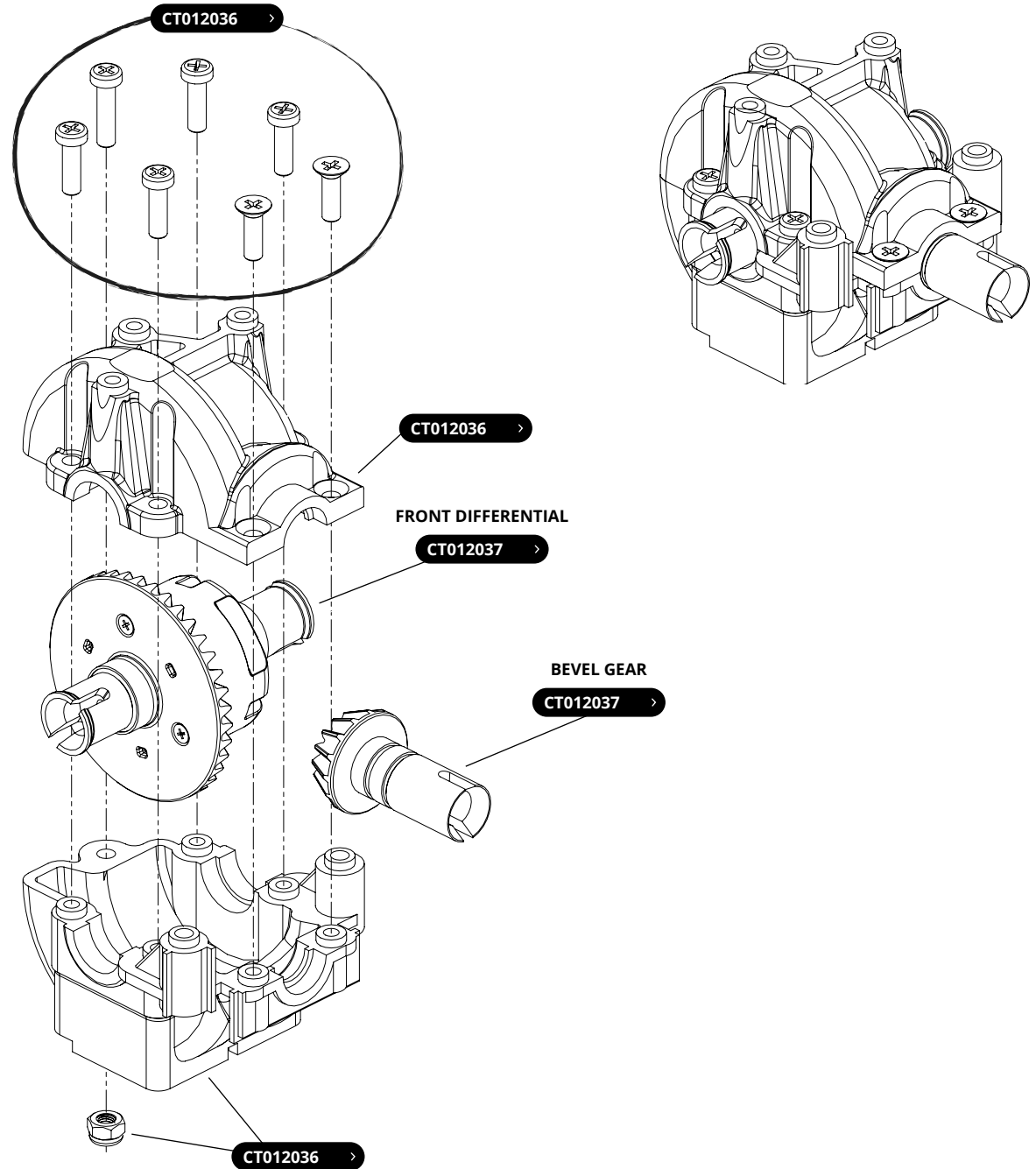
- Front Anti Roll Bar
- Top Deck
- Front Bumper Guard
- Mounting Front End
- Front Bumper
- Front End Assembly
- Front Shock
- Front Upper Link
- Front Suspension
- Front Steering Hub
- Front Tower

► **Front Bulkhead**

- Front Differential
- Bevel Gear

REAR

- Rear Anti Roll Bar
- Mounting Rear End
- Rear Bumper
- Rear End Assembly
- Rear Shock
- Rear Upper Link
- Rear Suspension
- Rear Hub
- Rear Tower
- Rear Bulkhead
- Rear Differential
- Middle Differential



BODY AND WHEELS

- Body Mount
- Wheels Mount
- Wheel

CENTER

- Steering Mount
- Steering
- Steering Link
- Front Caster Link
- Chassis
- Motor Mount
- Steering Module
- Receiver Module

FRONT

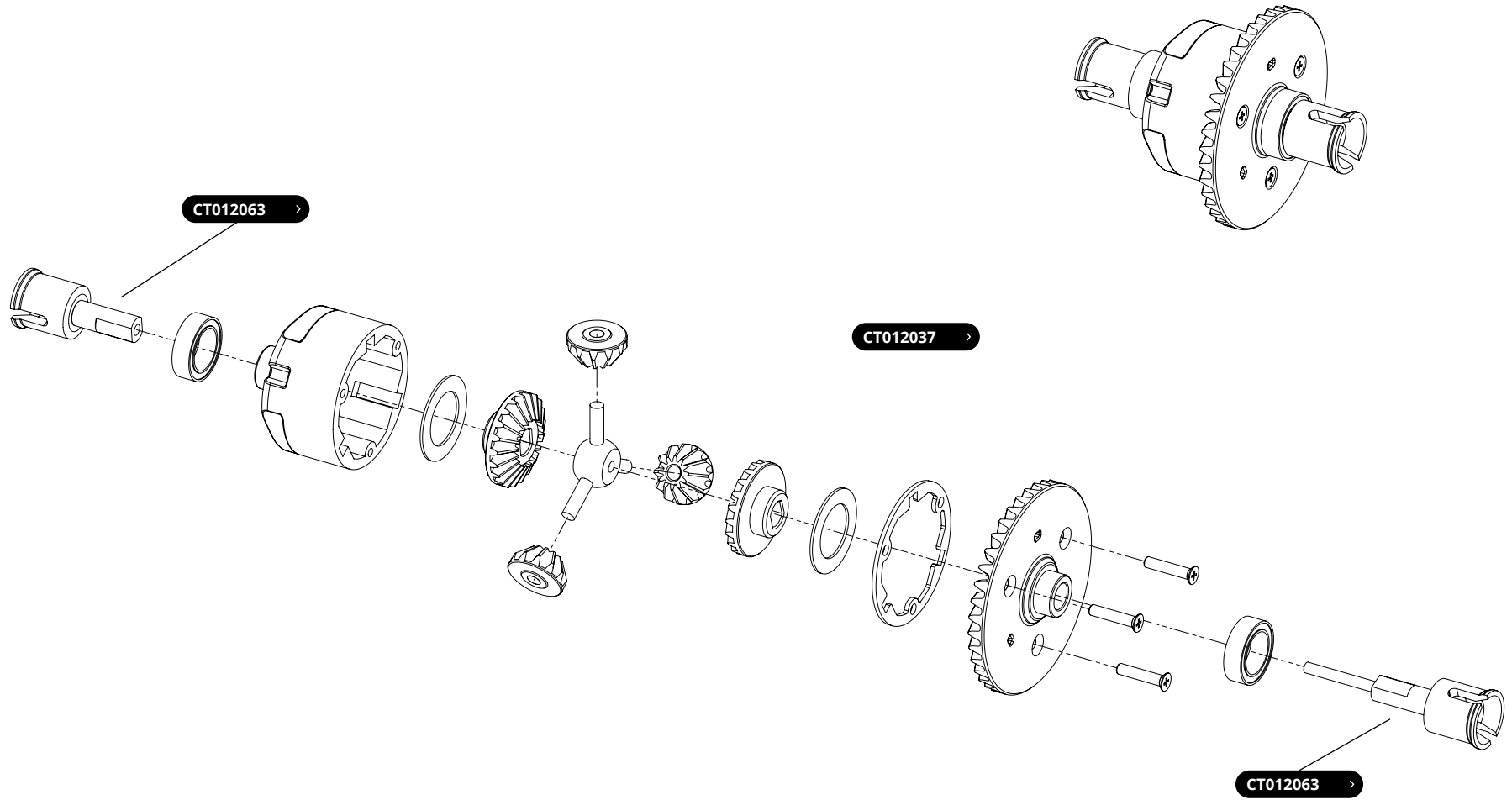
- Front Anti Roll Bar
- Top Deck
- Front Bumper Guard
- Mounting Front End
- Front Bumper
- Front End Assembly
- Front Shock
- Front Upper Link
- Front Suspension
- Front Steering Hub
- Front Tower
- Front Bulkhead

▶ Front Differential

- Bevel Gear

REAR

- Rear Anti Roll Bar
- Mounting Rear End
- Rear Bumper
- Rear End Assembly
- Rear Shock
- Rear Upper Link
- Rear Suspension
- Rear Hub
- Rear Tower
- Rear Bulkhead
- Rear Differential
- Middle Differential



BODY AND WHEELS

- Body Mount
- Wheels Mount
- Wheel

CENTER

- Steering Mount
- Steering
- Steering Link
- Front Caster Link
- Chassis
- Motor Mount
- Steering Module
- Receiver Module

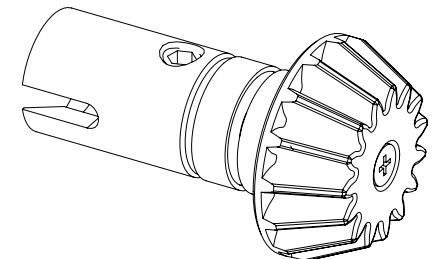
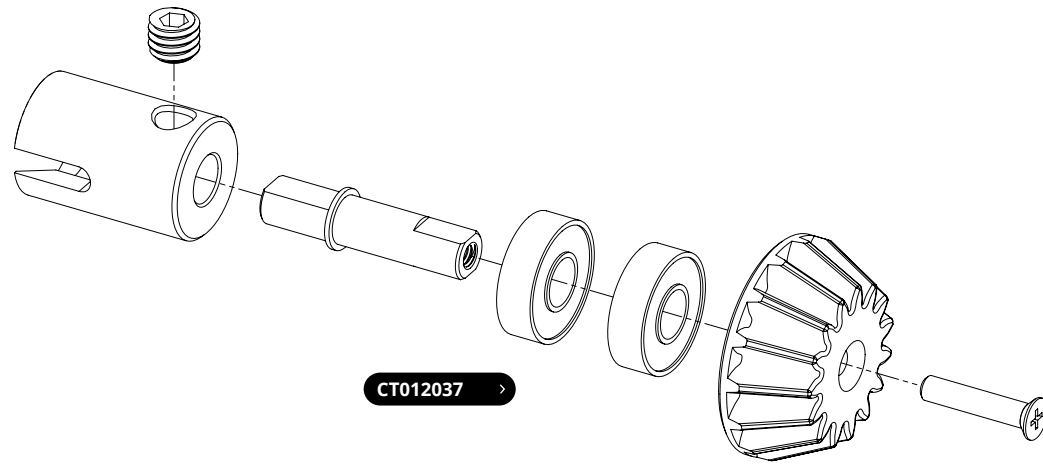
FRONT

- Front Anti Roll Bar
- Top Deck
- Front Bumper Guard
- Mounting Front End
- Front Bumper
- Front End Assembly
- Front Shock
- Front Upper Link
- Front Suspension
- Front Steering Hub
- Front Tower
- Front Bulkhead
- Front Differential

► **Bevel Gear**

REAR

- Rear Anti Roll Bar
- Mounting Rear End
- Rear Bumper
- Rear End Assembly
- Rear Shock
- Rear Upper Link
- Rear Suspension
- Rear Hub
- Rear Tower
- Rear Bulkhead
- Rear Differential
- Middle Differential



BODY AND WHEELS

- Body Mount
- Wheels Mount
- Wheel

CENTER

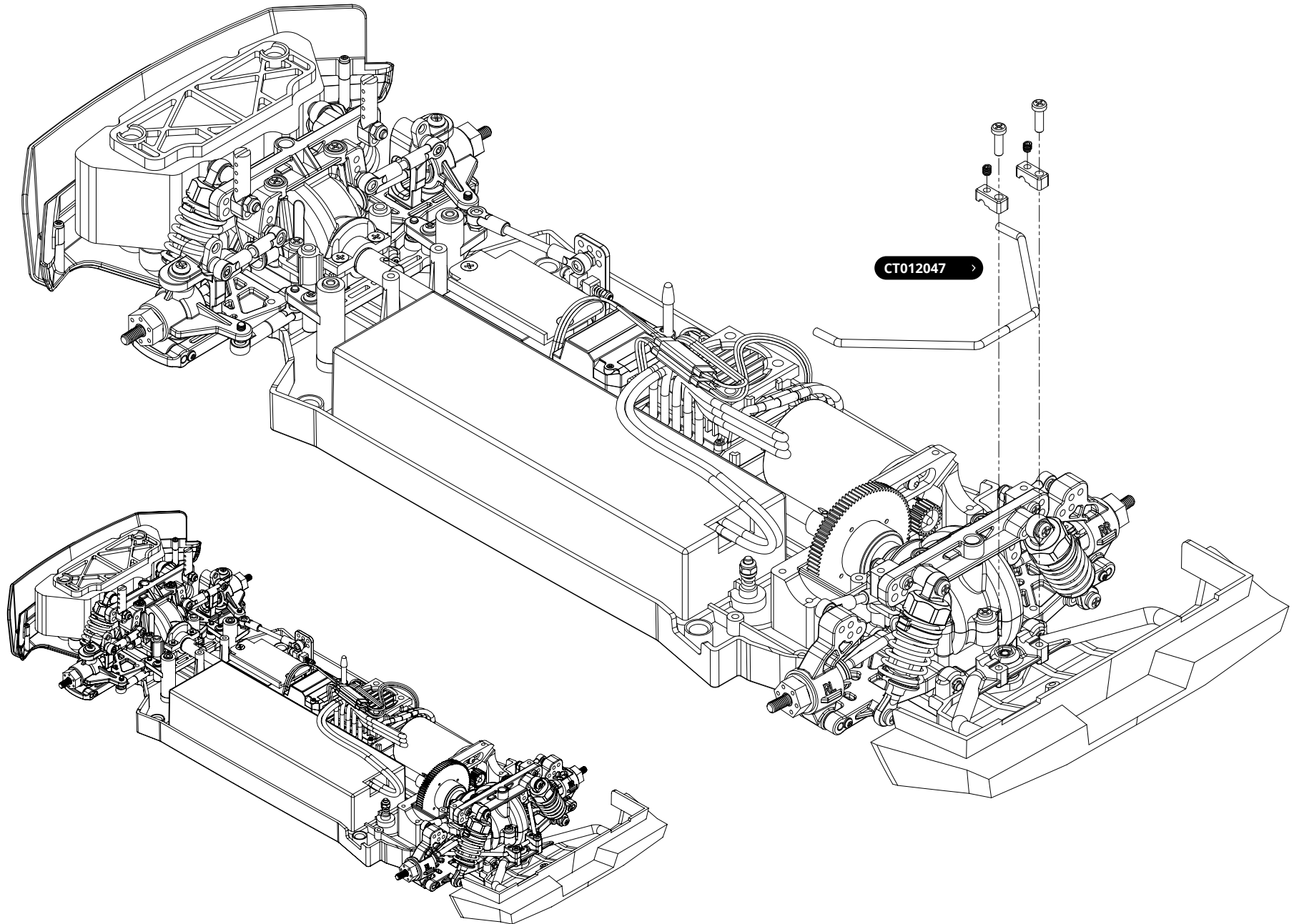
- Steering Mount
- Steering
- Steering Link
- Front Caster Link
- Chassis
- Motor Mount
- Steering Module
- Receiver Module

FRONT

- Front Anti Roll Bar
- Top Deck
- Front Bumper Guard
- Mounting Front End
- Front Bumper
- Front End Assembly
- Front Shock
- Front Upper Link
- Front Suspension
- Front Steering Hub
- Front Tower
- Front Bulkhead
- Front Differential
- Bevel Gear

REAR

- ▶ Rear Anti Roll Bar
- Mounting Rear End
- Rear Bumper
- Rear End Assembly
- Rear Shock
- Rear Upper Link
- Rear Suspension
- Rear Hub
- Rear Tower
- Rear Bulkhead
- Rear Differential
- Middle Differential



BODY AND WHEELS

- Body Mount
- Wheels Mount
- Wheel

CENTER

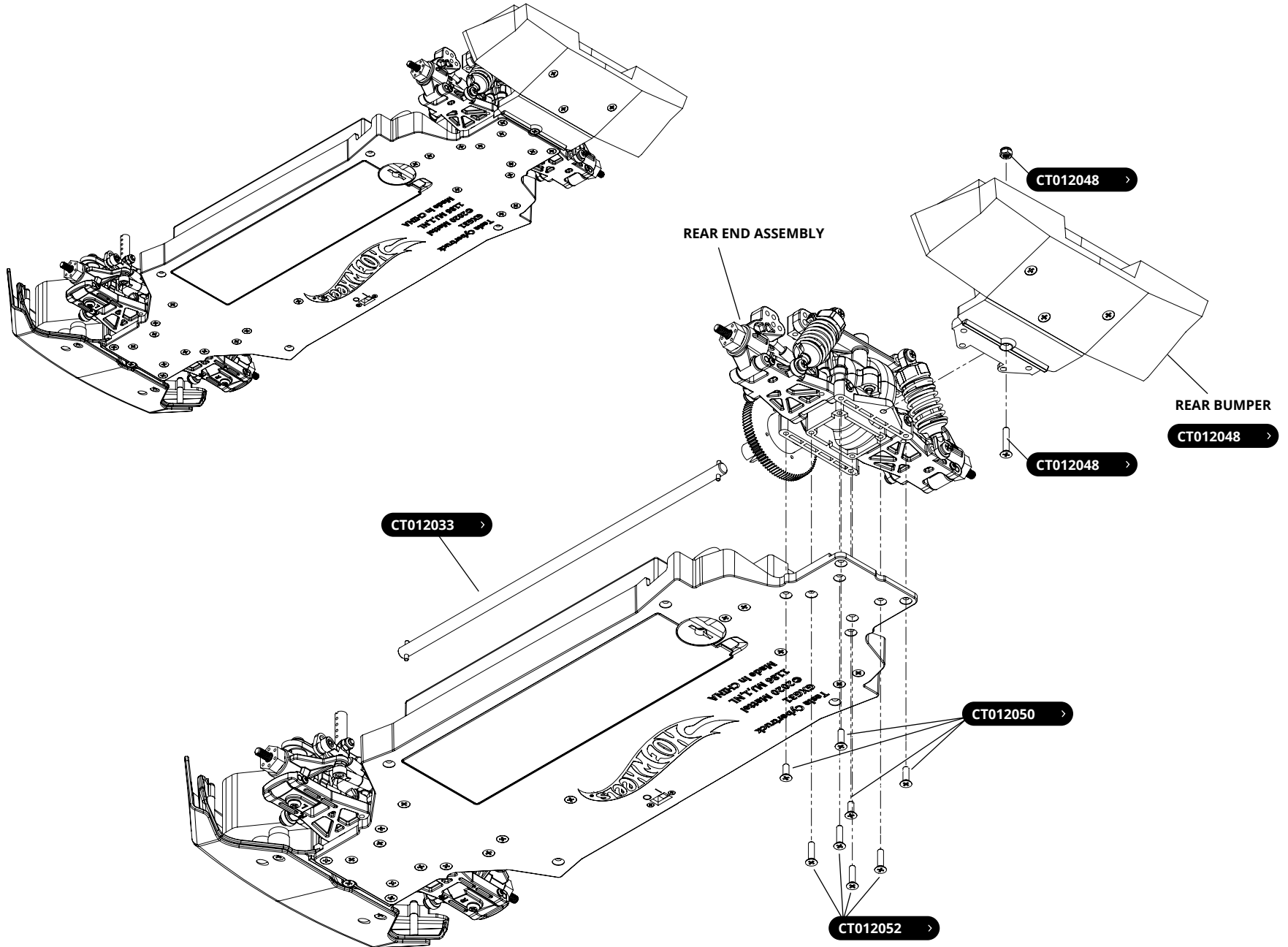
- Steering Mount
- Steering
- Steering Link
- Front Caster Link
- Chassis
- Motor Mount
- Steering Module
- Receiver Module

FRONT

- Front Anti Roll Bar
- Top Deck
- Front Bumper Guard
- Mounting Front End
- Front Bumper
- Front End Assembly
- Front Shock
- Front Upper Link
- Front Suspension
- Front Steering Hub
- Front Tower
- Front Bulkhead
- Front Differential
- Bevel Gear

REAR

- Rear Anti Roll Bar
- ▶ Mounting Rear End
- Rear Bumper
- Rear End Assembly
- Rear Shock
- Rear Upper Link
- Rear Suspension
- Rear Hub
- Rear Tower
- Rear Bulkhead
- Rear Differential
- Middle Differential



BODY AND WHEELS

- Body Mount
- Wheels Mount
- Wheel

CENTER

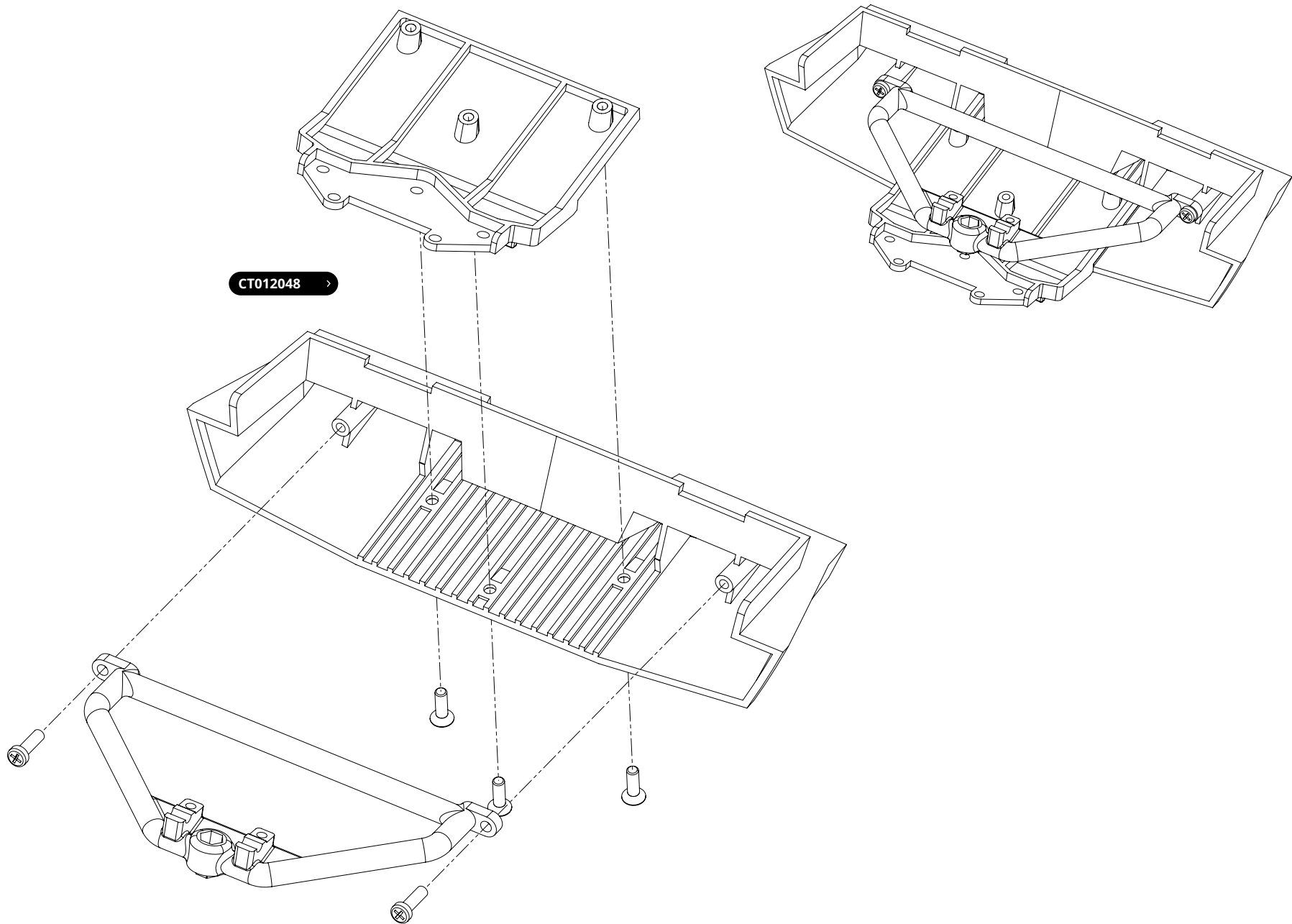
- Steering Mount
- Steering
- Steering Link
- Front Caster Link
- Chassis
- Motor Mount
- Steering Module
- Receiver Module

FRONT

- Front Anti Roll Bar
- Top Deck
- Front Bumper Guard
- Mounting Front End
- Front Bumper
- Front End Assembly
- Front Shock
- Front Upper Link
- Front Suspension
- Front Steering Hub
- Front Tower
- Front Bulkhead
- Front Differential
- Bevel Gear

REAR

- Rear Anti Roll Bar
- Mounting Rear End
- ▶ Rear Bumper
- Rear End Assembly
- Rear Shock
- Rear Upper Link
- Rear Suspension
- Rear Hub
- Rear Tower
- Rear Bulkhead
- Rear Differential
- Middle Differential



BODY AND WHEELS

- Body Mount
- Wheels Mount
- Wheel

CENTER

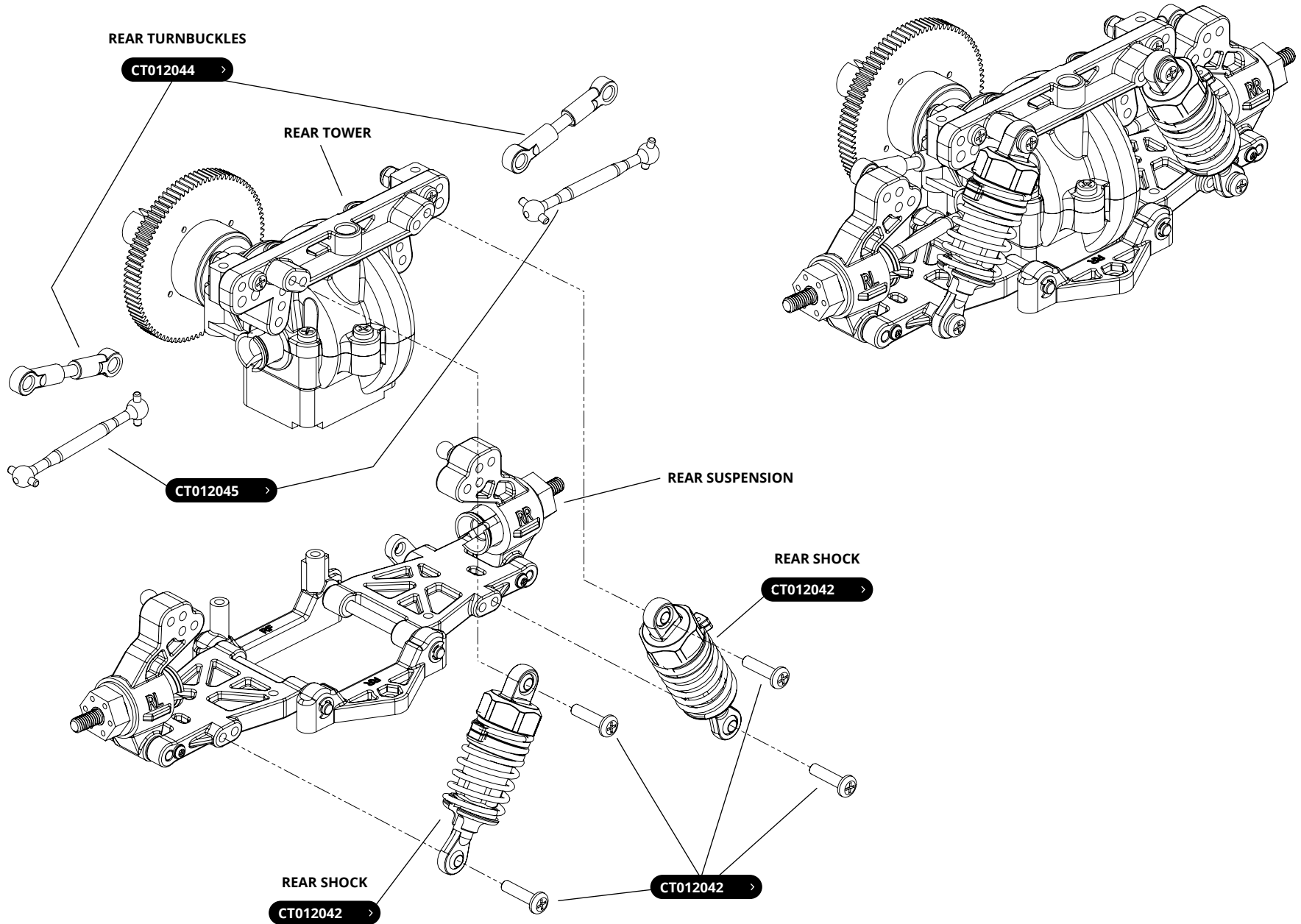
- Steering Mount
- Steering
- Steering Link
- Front Caster Link
- Chassis
- Motor Mount
- Steering Module
- Receiver Module

FRONT

- Front Anti Roll Bar
- Top Deck
- Front Bumper Guard
- Mounting Front End
- Front Bumper
- Front End Assembly
- Front Shock
- Front Upper Link
- Front Suspension
- Front Steering Hub
- Front Tower
- Front Bulkhead
- Front Differential
- Bevel Gear

REAR

- Rear Anti Roll Bar
- Mounting Rear End
- Rear Bumper
- ▶ Rear End Assembly
- Rear Shock
- Rear Upper Link
- Rear Suspension
- Rear Hub
- Rear Tower
- Rear Bulkhead
- Rear Differential
- Middle Differential



BODY AND WHEELS

- Body Mount
- Wheels Mount
- Wheel

CENTER

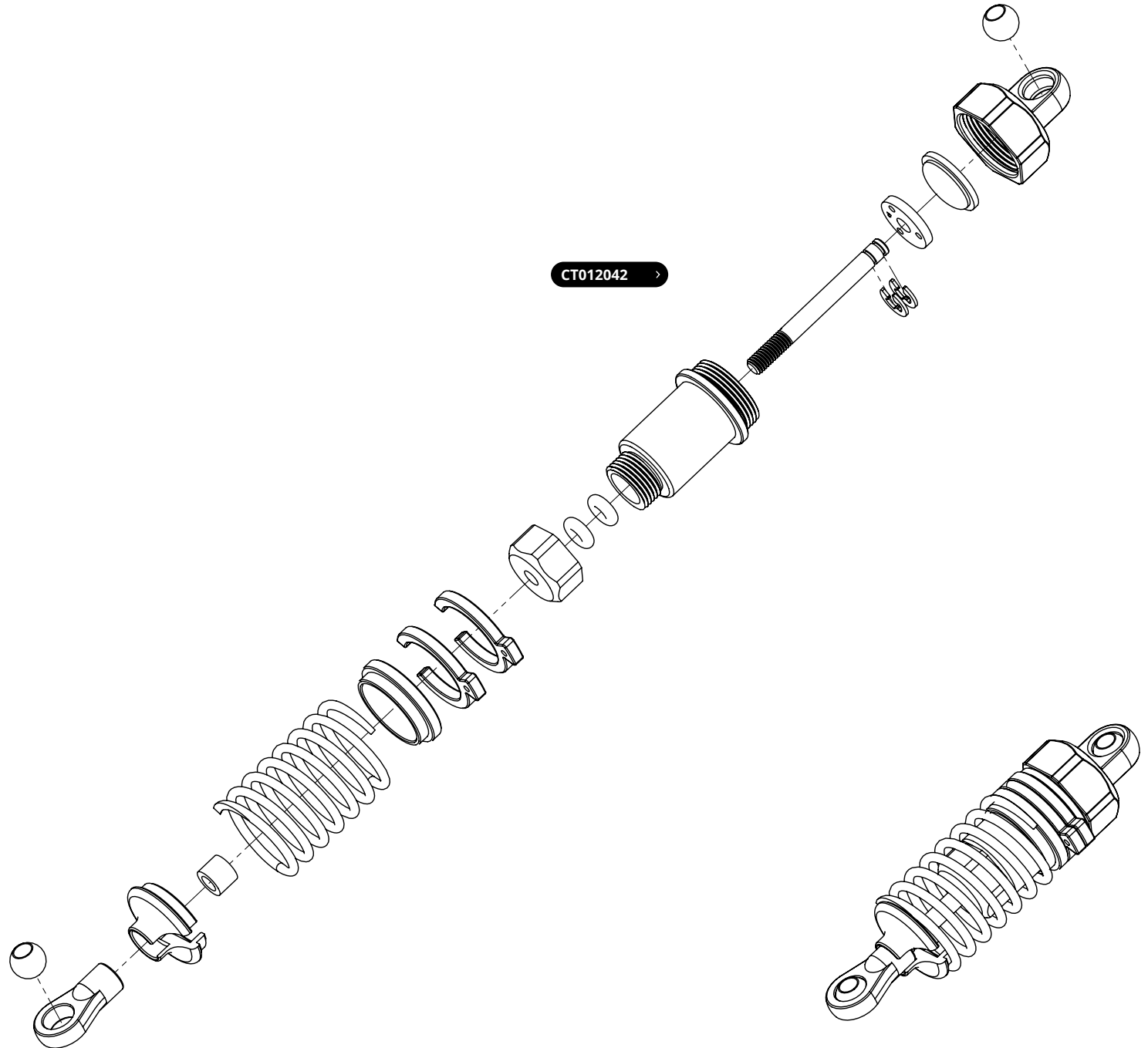
- Steering Mount
- Steering
- Steering Link
- Front Caster Link
- Chassis
- Motor Mount
- Steering Module
- Receiver Module

FRONT

- Front Anti Roll Bar
- Top Deck
- Front Bumper Guard
- Mounting Front End
- Front Bumper
- Front End Assembly
- Front Shock
- Front Upper Link
- Front Suspension
- Front Steering Hub
- Front Tower
- Front Bulkhead
- Front Differential
- Bevel Gear

REAR

- Rear Anti Roll Bar
- Mounting Rear End
- Rear Bumper
- Rear End Assembly
- ▶ Rear Shock
- Rear Upper Link
- Rear Suspension
- Rear Hub
- Rear Tower
- Rear Bulkhead
- Rear Differential
- Middle Differential



BODY AND WHEELS

- Body Mount
- Wheels Mount
- Wheel

CENTER

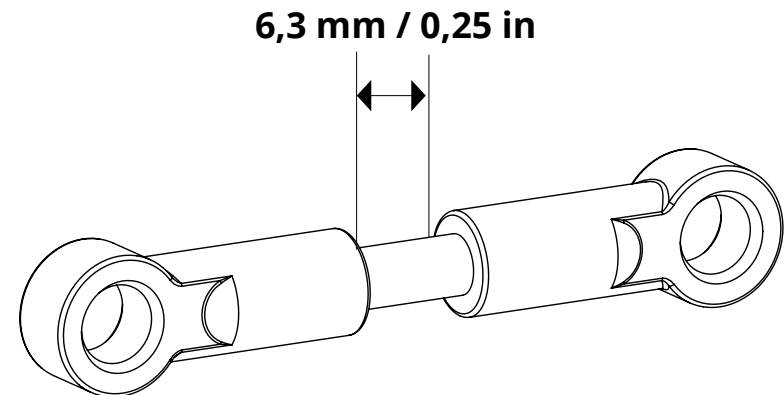
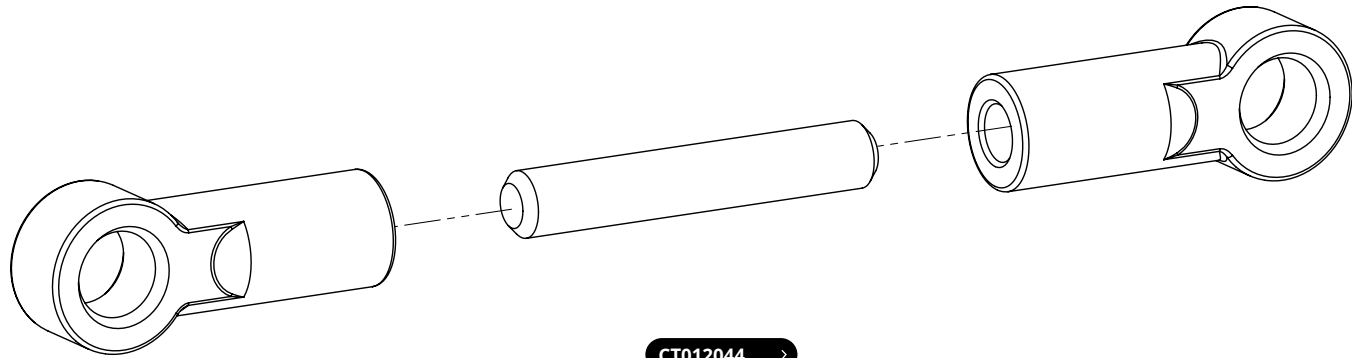
- Steering Mount
- Steering
- Steering Link
- Front Caster Link
- Chassis
- Motor Mount
- Steering Module
- Receiver Module

FRONT

- Front Anti Roll Bar
- Top Deck
- Front Bumper Guard
- Mounting Front End
- Front Bumper
- Front End Assembly
- Front Shock
- Front Upper Link
- Front Suspension
- Front Steering Hub
- Front Tower
- Front Bulkhead
- Front Differential
- Bevel Gear

REAR

- Rear Anti Roll Bar
- Mounting Rear End
- Rear Bumper
- Rear End Assembly
- Rear Shock
- Rear Upper Link
- Rear Suspension
- Rear Hub
- Rear Tower
- Rear Bulkhead
- Rear Differential
- Middle Differential



BODY AND WHEELS

- Body Mount
- Wheels Mount
- Wheel

CENTER

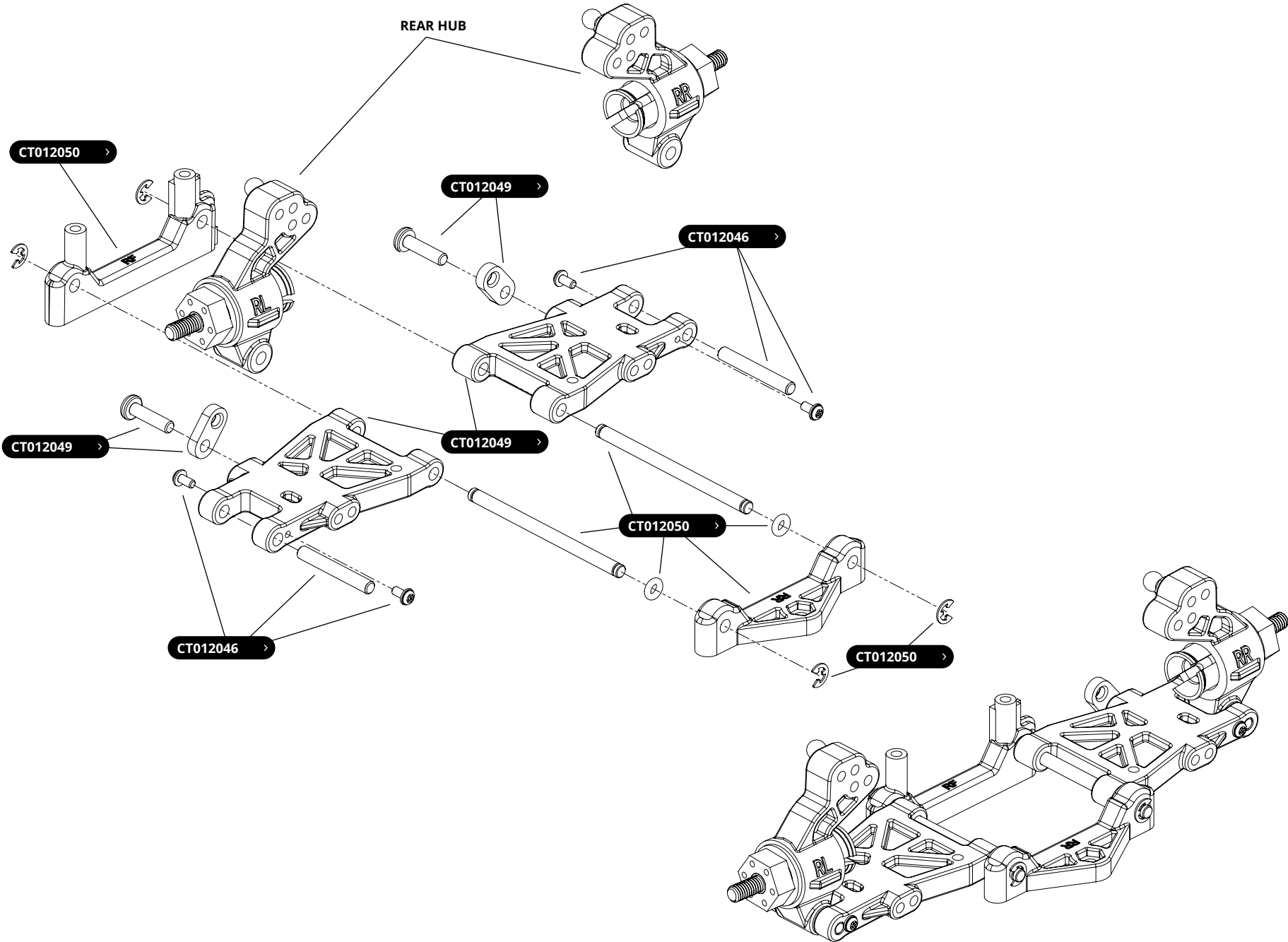
- Steering Mount
- Steering
- Steering Link
- Front Caster Link
- Chassis
- Motor Mount
- Steering Module
- Receiver Module

FRONT

- Front Anti Roll Bar
- Top Deck
- Front Bumper Guard
- Mounting Front End
- Front Bumper
- Front End Assembly
- Front Shock
- Front Upper Link
- Front Suspension
- Front Steering Hub
- Front Tower
- Front Bulkhead
- Front Differential
- Bevel Gear

REAR

- Rear Anti Roll Bar
- Mounting Rear End
- Rear Bumper
- Rear End Assembly
- Rear Shock
- Rear Upper Link
- ▶ Rear Suspension
- Rear Hub
- Rear Tower
- Rear Bulkhead
- Rear Differential
- Middle Differential



BODY AND WHEELS

- Body Mount
- Wheels Mount
- Wheel

CENTER

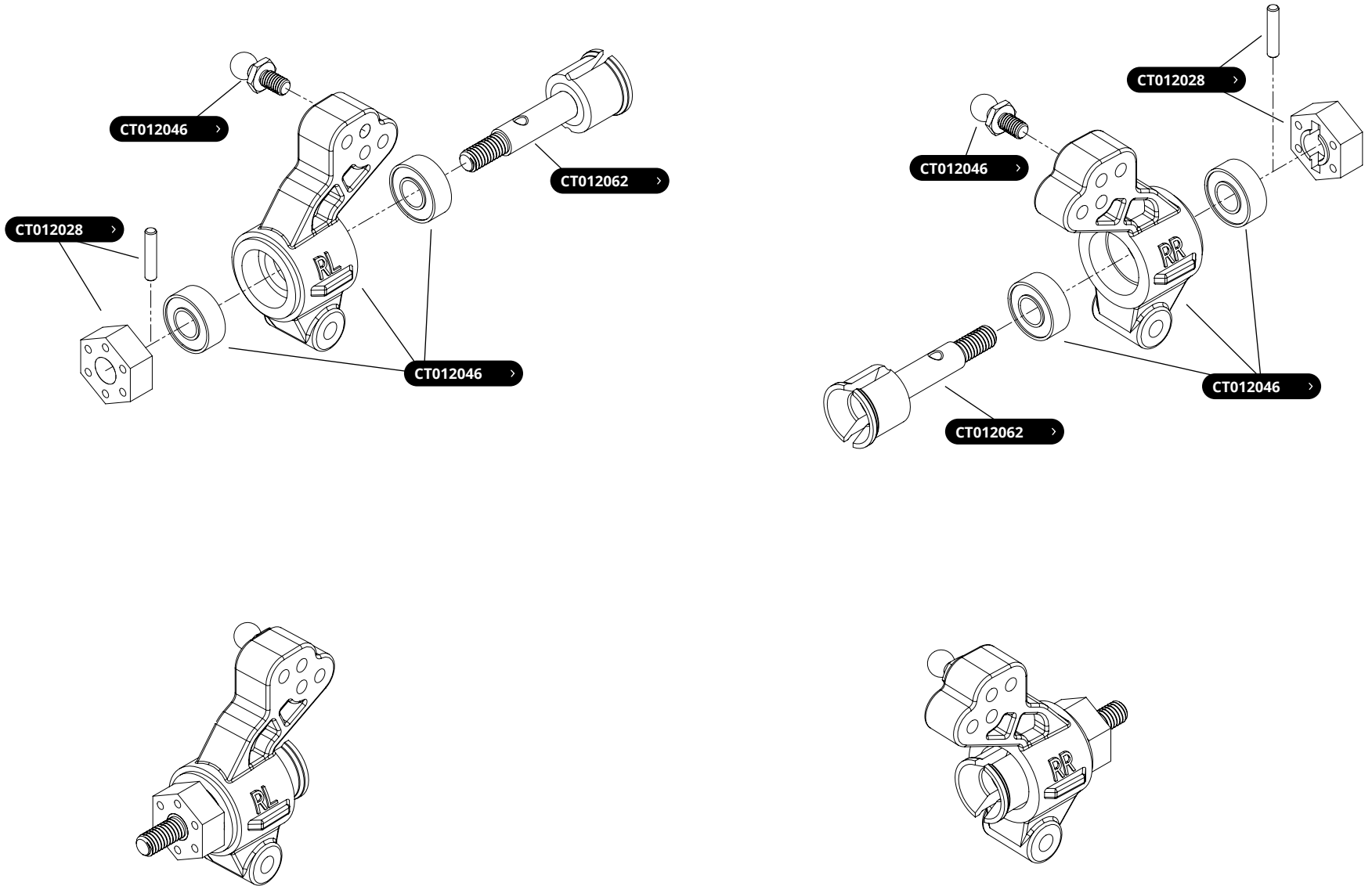
- Steering Mount
- Steering
- Steering Link
- Front Caster Link
- Chassis
- Motor Mount
- Steering Module
- Receiver Module

FRONT

- Front Anti Roll Bar
- Top Deck
- Front Bumper Guard
- Mounting Front End
- Front Bumper
- Front End Assembly
- Front Shock
- Front Upper Link
- Front Suspension
- Front Steering Hub
- Front Tower
- Front Bulkhead
- Front Differential
- Bevel Gear

REAR

- Rear Anti Roll Bar
- Mounting Rear End
- Rear Bumper
- Rear End Assembly
- Rear Shock
- Rear Upper Link
- Rear Suspension
- ▶ **Rear Hub**
- Rear Tower
- Rear Bulkhead
- Rear Differential
- Middle Differential



BODY AND WHEELS

- Body Mount
- Wheels Mount
- Wheel

CENTER

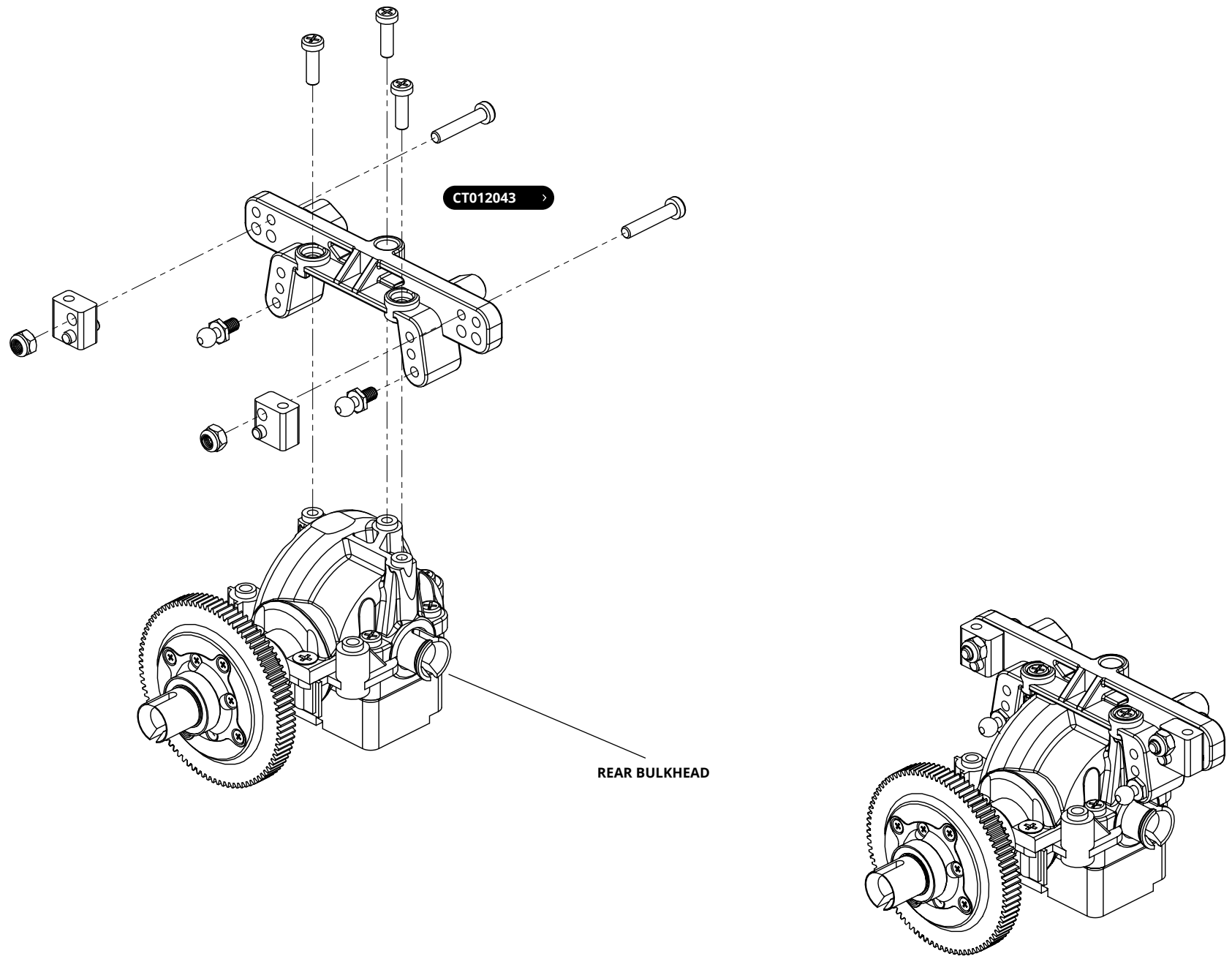
- Steering Mount
- Steering
- Steering Link
- Front Caster Link
- Chassis
- Motor Mount
- Steering Module
- Receiver Module

FRONT

- Front Anti Roll Bar
- Top Deck
- Front Bumper Guard
- Mounting Front End
- Front Bumper
- Front End Assembly
- Front Shock
- Front Upper Link
- Front Suspension
- Front Steering Hub
- Front Tower
- Front Bulkhead
- Front Differential
- Bevel Gear

REAR

- Rear Anti Roll Bar
- Mounting Rear End
- Rear Bumper
- Rear End Assembly
- Rear Shock
- Rear Upper Link
- Rear Suspension
- Rear Hub
- ▶ **Rear Tower**
- Rear Bulkhead
- Rear Differential
- Middle Differential



BODY AND WHEELS

- Body Mount
- Wheels Mount
- Wheel

CENTER

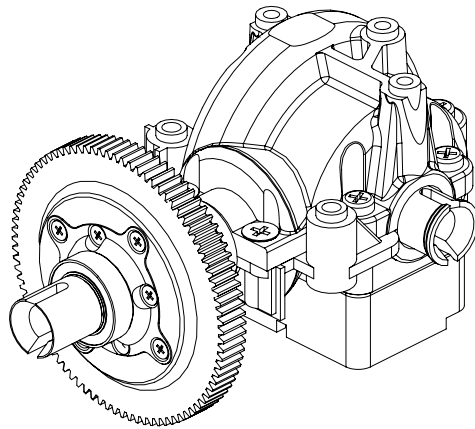
- Steering Mount
- Steering
- Steering Link
- Front Caster Link
- Chassis
- Motor Mount
- Steering Module
- Receiver Module

FRONT

- Front Anti Roll Bar
- Top Deck
- Front Bumper Guard
- Mounting Front End
- Front Bumper
- Front End Assembly
- Front Shock
- Front Upper Link
- Front Suspension
- Front Steering Hub
- Front Tower
- Front Bulkhead
- Front Differential
- Bevel Gear

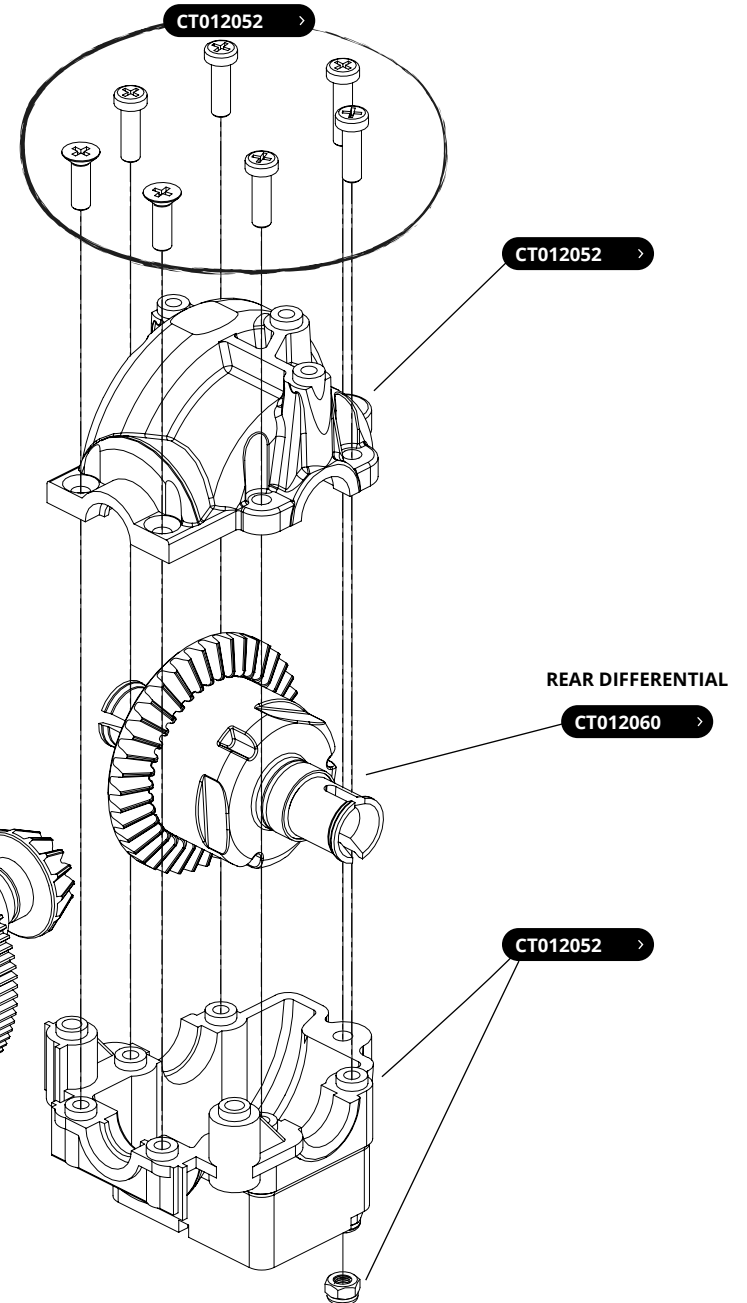
REAR

- Rear Anti Roll Bar
- Mounting Rear End
- Rear Bumper
- Rear End Assembly
- Rear Shock
- Rear Upper Link
- Rear Suspension
- Rear Hub
- Rear Tower
- ▶ Rear Bulkhead
- Rear Differential
- Middle Differential



MIDDLE DIFFERENTIAL

CT012051 >



REAR DIFFERENTIAL

CT012060 >

CT012052 >

BODY AND WHEELS

- Body Mount
- Wheels Mount
- Wheel

CENTER

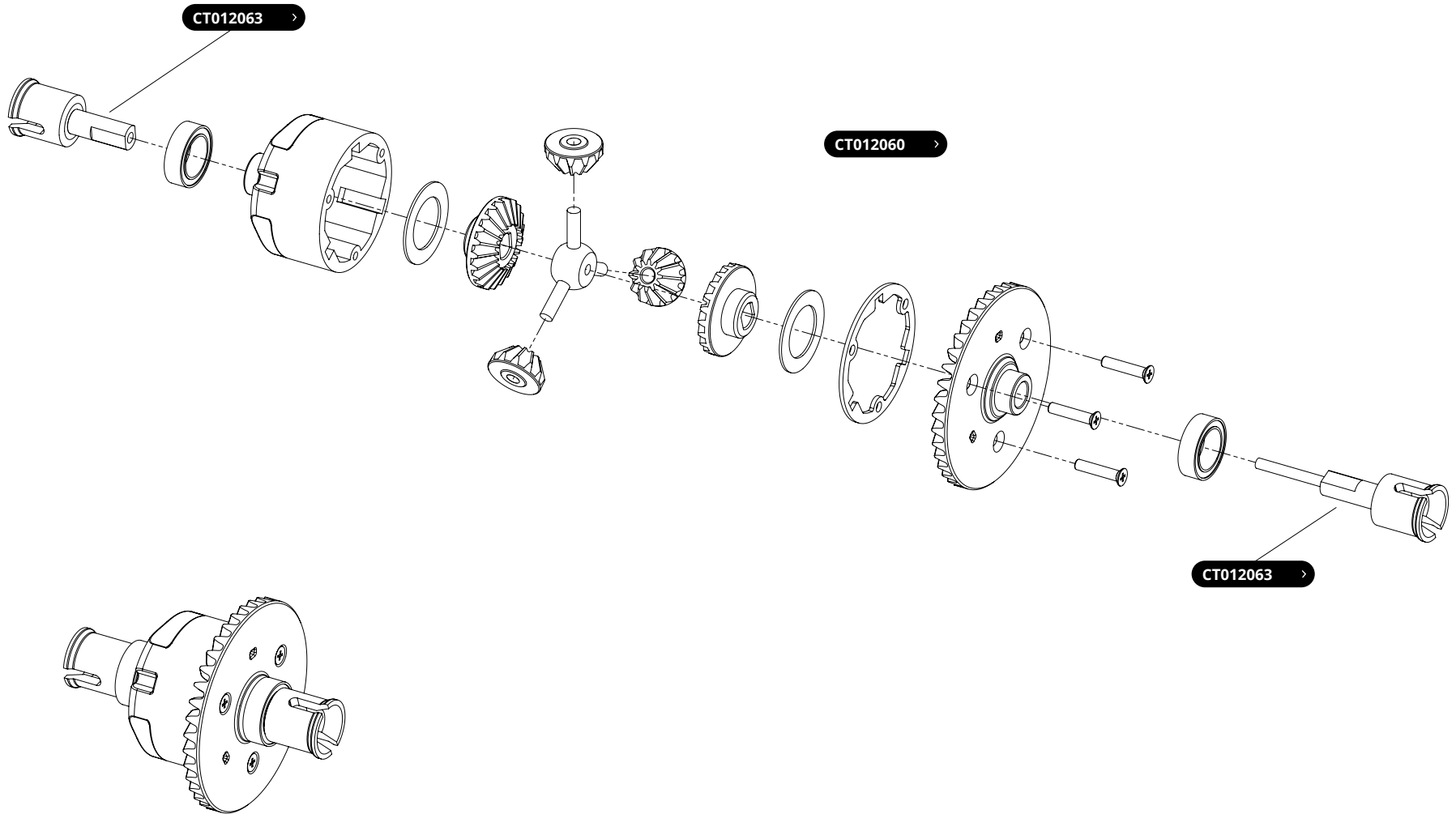
- Steering Mount
- Steering
- Steering Link
- Front Caster Link
- Chassis
- Motor Mount
- Steering Module
- Receiver Module

FRONT

- Front Anti Roll Bar
- Top Deck
- Front Bumper Guard
- Mounting Front End
- Front Bumper
- Front End Assembly
- Front Shock
- Front Upper Link
- Front Suspension
- Front Steering Hub
- Front Tower
- Front Bulkhead
- Front Differential
- Bevel Gear

REAR

- Rear Anti Roll Bar
- Mounting Rear End
- Rear Bumper
- Rear End Assembly
- Rear Shock
- Rear Upper Link
- Rear Suspension
- Rear Hub
- Rear Tower
- Rear Bulkhead
- ▶ Rear Differential
- Middle Differential



BODY AND WHEELS

- Body Mount
- Wheels Mount
- Wheel

CENTER

- Steering Mount
- Steering
- Steering Link
- Front Caster Link
- Chassis
- Motor Mount
- Steering Module
- Receiver Module

FRONT

- Front Anti Roll Bar
- Top Deck
- Front Bumper Guard
- Mounting Front End
- Front Bumper
- Front End Assembly
- Front Shock
- Front Upper Link
- Front Suspension
- Front Steering Hub
- Front Tower
- Front Bulkhead
- Front Differential
- Bevel Gear

REAR

- Rear Anti Roll Bar
- Mounting Rear End
- Rear Bumper
- Rear End Assembly
- Rear Shock
- Rear Upper Link
- Rear Suspension
- Rear Hub
- Rear Tower
- Rear Bulkhead
- Rear Differential
- ▶ Middle Differential

